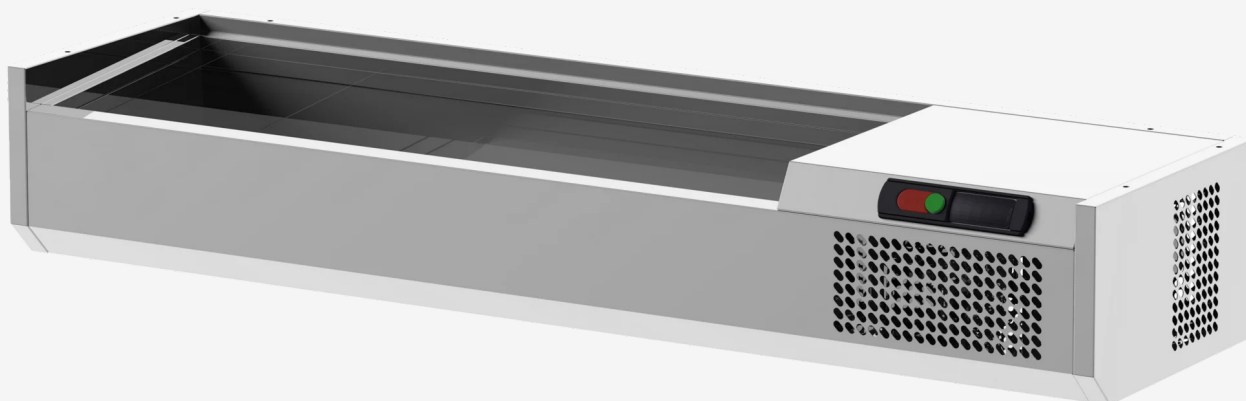


RANGE	CODE	MODEL	FUNCTION
Complementary refrigerated units	MACRO000921	MVR1438SV	Refrigerated Displays

ITEM

Refrigerated display 1400 mm without glass



RANGE	CODE	MODEL	FUNCTION
Complementary refrigerated units	MACRO000092I	MVRI438SV	Refrigerated Displays

ITEM

Refrigerated display 1400 mm without glass



**TECHNICAL SPECIFICATIONS**

RANGE:	0° +15°C
WIDTH (mm):	1400
DEPTH (mm):	380
HEIGHT (mm):	225
WEIGHT (Kg):	73
VOLUME (m <sup>3</sup> ):	0.26
EL. POWER (kW):	0.22
VOLTAGE:	VAC230
FREQUENCY (Hz):	50Hz
INTERNAL DIM. (mm):	958x305x150(h)
EXTERNAL MATERIAL:	304
INTERNAL MATERIAL:	304
GROSS CAPACITY (L):	44
OPERATING MODE:	Static
REFRIGERANT POWER:	250
GAS TYPE:	R290
REFRIGERANT QUANTITY (g):	100
CLIMATE CLASS:	32°C

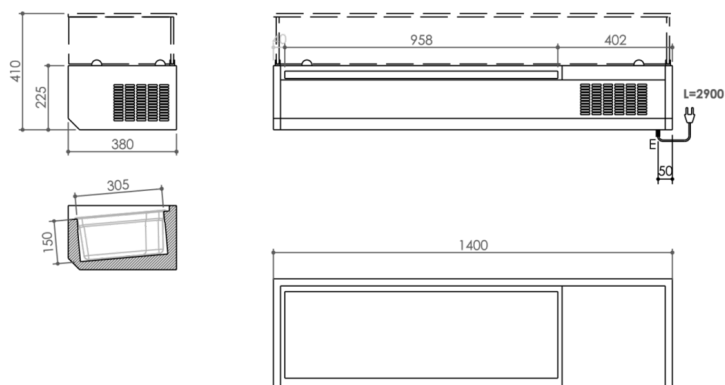
**DESCRIPTION**

This equipment does not only complete the functionality of a pizza counter, but can also be used independently, on preparation tables, by means of feet, wall fixing brackets or backs. Available depths are 32 cm and 38 cm. The range consists of glassless, flat-glass or curved-glass models and comes with different stainless steel or polycarbonate GN container combinations. The container is in stainless steel, while the external finish is satin-finish scotchbrite. The units come with high-density polyurethane insulation (40 kg/mc).



RANGE	CODE	MODEL	FUNCTION
Complementary refrigerated units	MACRO00092I	MVRI438SV	Refrigerated Displays

ITEM  
Refrigerated display 1400 mm without glass



### INSTALLATION SPECIFICATIONS

(E) Electrical Connection: **VAC230 50Hz**  
Type of electrical plug: **with Schuko plug and cable**

