

RANGE	CODE	MODEL	FUNCTION
Complementary refrigerated units	MACRO000971	MVR2538SV	Refrigerated Displays

ITEM
Refrigerated display 2500 mm without glass



RANGE	CODE	MODEL	FUNCTION
Complementary refrigerated units	MACRO000971	MVR2538SV	Refrigerated Displays

ITEM
Refrigerated display 2500 mm without glass



TECHNICAL SPECIFICATIONS

RANGE:	0° +15°C
WIDTH (mm):	2500
DEPTH (mm):	380
HEIGHT (mm):	225
WEIGHT (Kg):	99
VOLUME (m ³):	0.46
EL. POWER (kW):	0.22
VOLTAGE:	VAC230
FREQUENCY (Hz):	50Hz
INTERNAL DIM. (mm):	2058x305x150(h)
EXTERNAL MATERIAL:	304
INTERNAL MATERIAL:	304
GROSS CAPACITY (L):	94
OPERATING MODE:	Static
REFRIGERANT POWER:	250
GAS TYPE:	R290
REFRIGERANT QUANTITY (g):	120
CLIMATE CLASS:	32°C

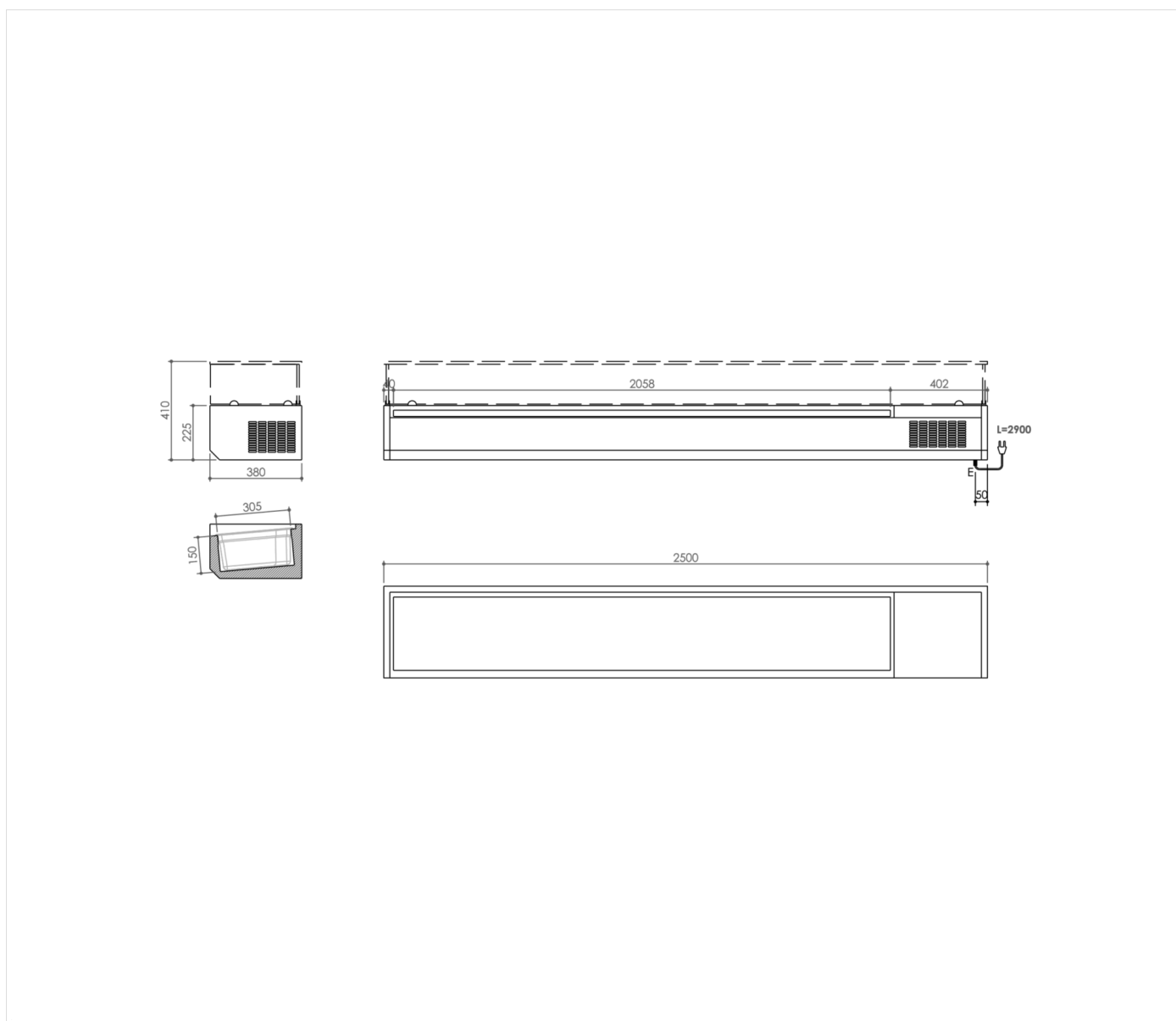
DESCRIPTION

This equipment does not only complete the functionality of a pizza counter, but can also be used independently, on preparation tables, by means of feet, wall fixing brackets or backs. Available depths are 32 cm and 38 cm. The range consists of glassless, flat-glass or curved-glass models and comes with different stainless steel or polycarbonate GN container combinations. The container is in stainless steel, while the external finish is satin-finish scotchbrite. The units come with high-density polyurethane insulation (40 kg/mc).



RANGE	CODE	MODEL	FUNCTION
Complementary refrigerated units	MACRO0000971	MVR2538SV	Refrigerated Displays

ITEM
Refrigerated display 2500 mm without glass



INSTALLATION SPECIFICATIONS

(E) Electrical Connection:	VAC230 50Hz
Type of electrical plug:	with Schuko plug and cable

