

RANGE

Convection and Combination Ovens MO

MODEL

MICGMO7IE

FUNCTION

MO ovens - 7x GN I/I

ITEM

Gas direct steam electromechanical combi oven 7 x GN I/I



RANGE

Convection and Combination Ovens MO

MODEL

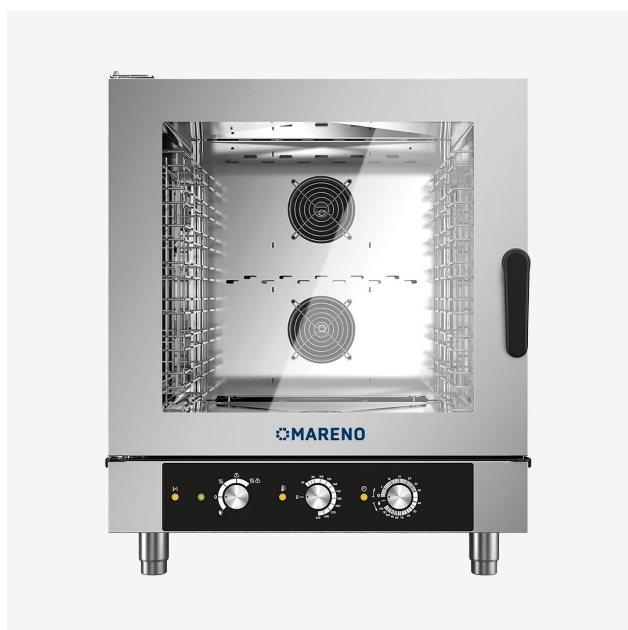
MICGMO7IE

FUNCTION

MO ovens - 7x GN I/I

ITEM

Gas direct steam electromechanical combi oven 7 x GN I/I



TECHNICAL SPECIFICATIONS

WIDTH (mm):	777
DEPTH (mm):	729
HEIGHT (mm):	942
WEIGHT (Kg):	97
VOLUME (m ³):	0.55
GAS POWER (kW):	12
EL. POWER (kW):	0.5
VOLTAGE:	VAC230 IN
OVEN CAPACITY:	7x GN I/I
GN TRAY SPACING	70
NUMBER OF MEALS	50/120
TRAY CAPACITY EN	7 x 600 x 400
NUMBER OF CROISSANTS	84/112



RANGE

Convection and Combination Ovens MO

MODEL

MICGMO7IE

FUNCTION

MO ovens - 7x GN I/I

ITEM

Gas direct steam electromechanical combi oven 7 x GN I/I**DESCRIPTION**

Gas direct steam combi oven. Cooking methods: manual cooking with three cooking modes: Convection from 50°C to 260°C, Steam from 50°C to 130°C, Combined from 50°C to 260°C. control panel with manual switchgear and operation mode control lights. Autoreverse (automatic inversion of the direction of the fan) for perfectly uniform cooking. Manual chamber venting. LED chamber lighting. Perfectly smooth cooking chamber walls with rounded edges. Double-glazed door with thermoreflective tempered glass, with an air cavity to prevent heat radiation towards users and for increased efficiency. Left or right-hand opening handle. Adjustable hinges for optimal grip. Extractable deflector for ease of cleaning of the fan bay. IPX3 water jet protection. Gas heating system: blown air type of modulating burners for the cavity. Automatic flame ignition. Electronic control of the flame with automatic ignition reset. High efficiency heat exchanger with steel AISI 310 S expansion cabinet. Standard equipment side runners, space between shelves 70mm. Cooking chamber capacity: 7 x GN I/I (530x325mm) 7 x (600x400). Number of meals 84 - II2.



RANGE

Convection and Combination Ovens MO

MODEL

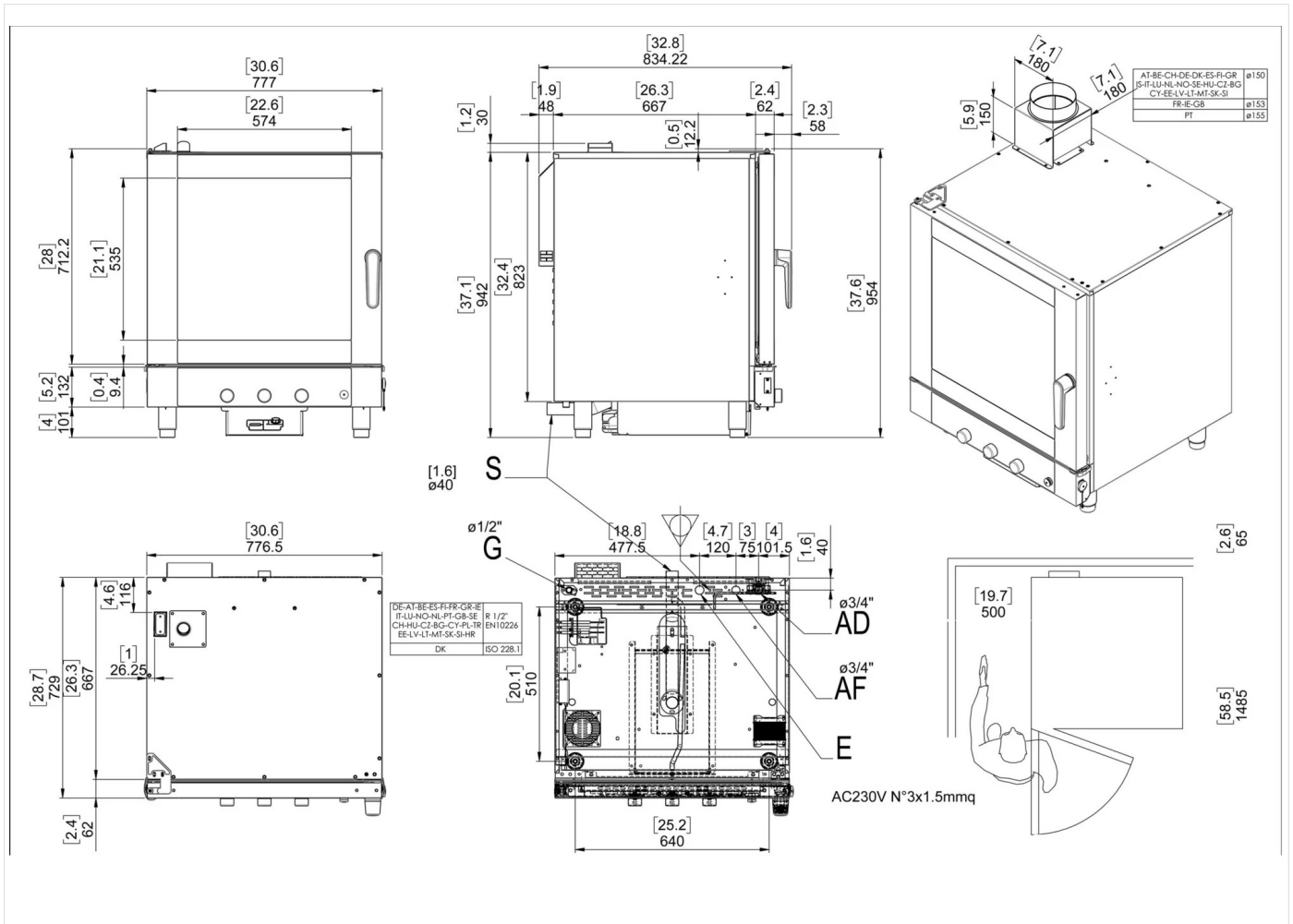
MICGMO7IE

FUNCTION

MO ovens - 7x GN I/I

ITEM

Gas direct steam electromechanical combi oven 7 x GN I/I



INSTALLATION SPECIFICATIONS

(E) Electrical Connection: VAC230 IN 50/60Hz

(AD) Softened Water Inlet: Ø3/4

(AD) Softened Water Inlet: Ø3/4

