

RANGE

Convection and Combination Ovens MO

MODEL

MICGTIOIE

FUNCTION

MO ovens - IOx GN I/I

ITEM

Gas direct steam combi oven IO x GN I/I



RANGE

Convection and Combination Ovens MO

ITEM

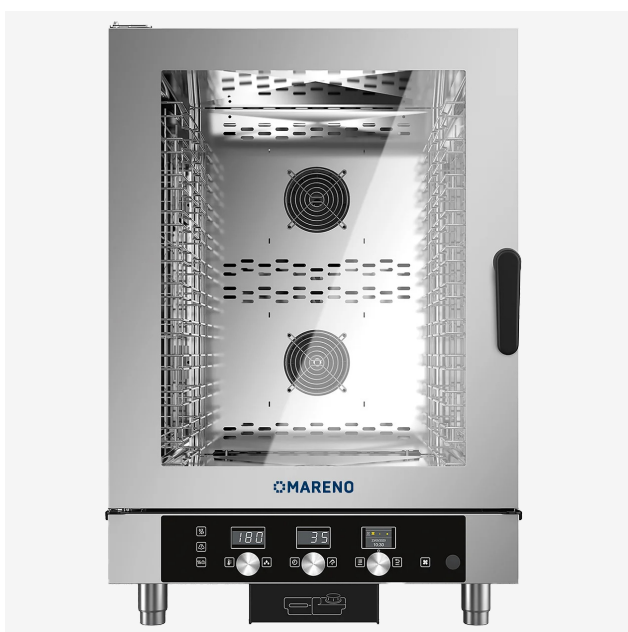
Gas direct steam combi oven IO x GN I/I

MODEL

MICGTIOIE

FUNCTION

MO ovens - IOx GN I/I



TECHNICAL SPECIFICATIONS

WIDTH (mm):	777
DEPTH (mm):	729
HEIGHT (mm):	1152
WEIGHT (Kg):	111
VOLUME (m ³):	0.65
GAS POWER (kW):	16
EL. POWER (kW):	0.5
VOLTAGE:	VAC230 IN
OVEN CAPACITY:	10 x GN I/I
GN TRAY SPACING	70
NUMBER OF MEALS	80/150
TRAY CAPACITY EN	10 x 600 x 400
NUMBER OF CROISSANTS	120/160



RANGE

Convection and Combination Ovens MO

MODEL

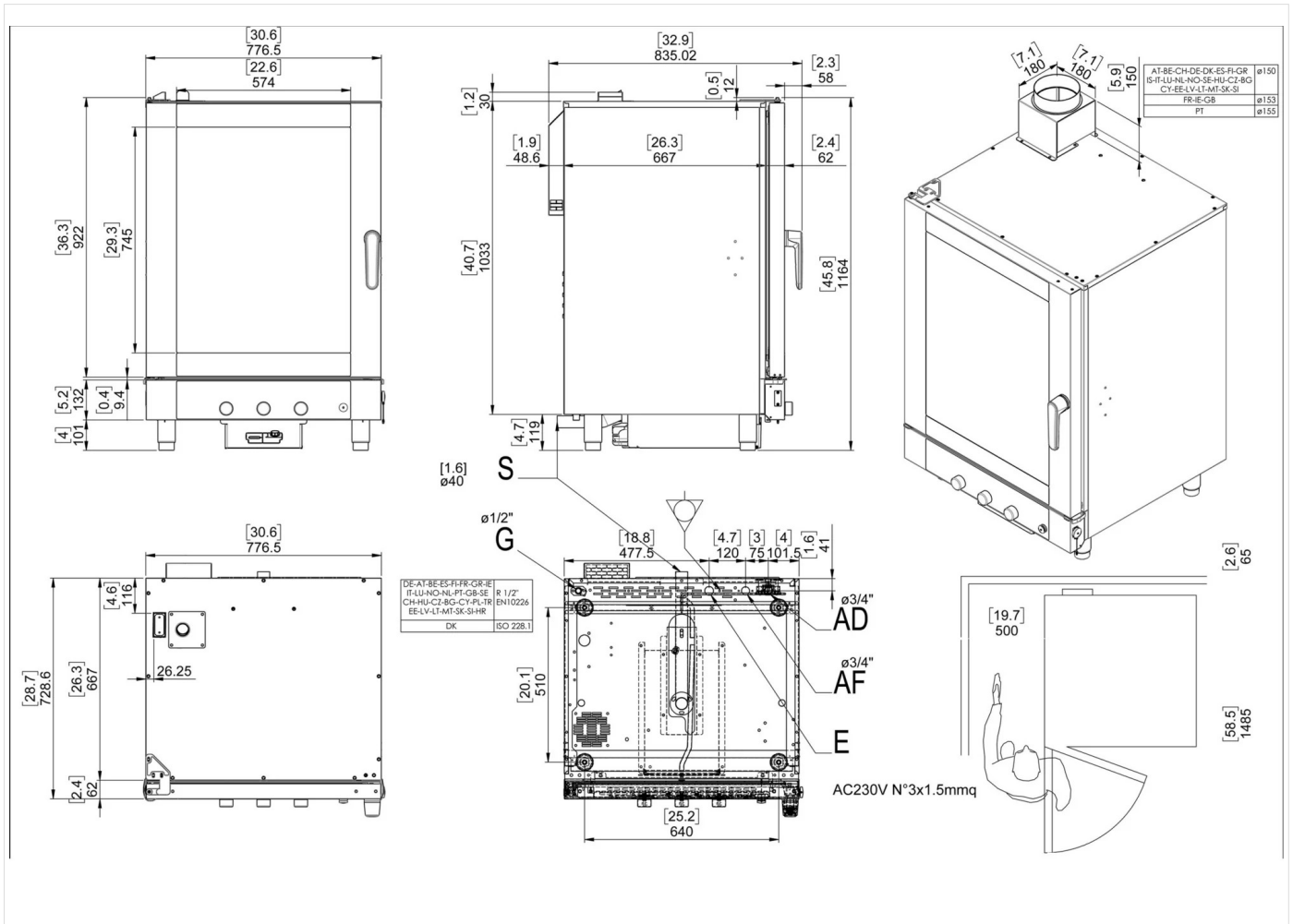
MICGTIOIE

FUNCTION

MO ovens - IOx GN I/I

ITEM

Gas direct steam combi oven IO x GN I/I



INSTALLATION SPECIFICATIONS

(E) Electrical Connection:	VAC230 IN 50/60Hz
(AD) Softened Water Inlet:	Ø3/4
(AD) Softened Water Inlet:	Ø3/4

