

RANGE	CODE	MODEL	FUNCTION
MI - 70	MAMCOOOI220	FT78GLCT	<b>Griddles</b>

ITEM

**Gas griddle top with smooth chromed plate**

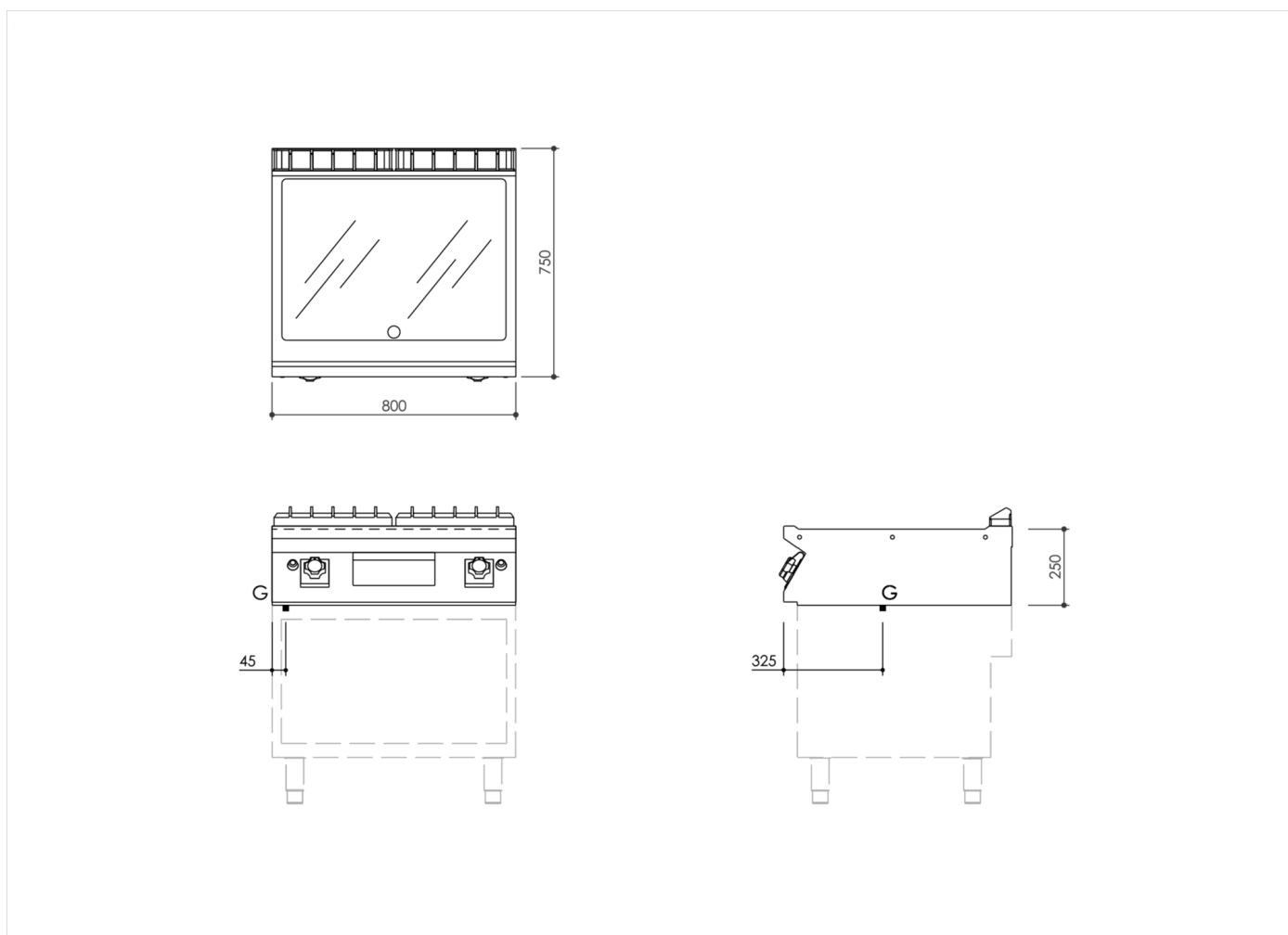




RANGE	CODE	MODEL	FUNCTION
MI - 70	MAMCOOOI220	FT78GLCT	Griddles

ITEM

Gas griddle top with smooth chromed plate



**INSTALLATION SPECIFICATIONS**

(G) Gas Inlet:  $\text{Ø}1/2''$

