

RANGE	CODE	MODEL	FUNCTION
MI - 90	MAMCOOO8750	FR94EIOKT	Fryers

ITEM

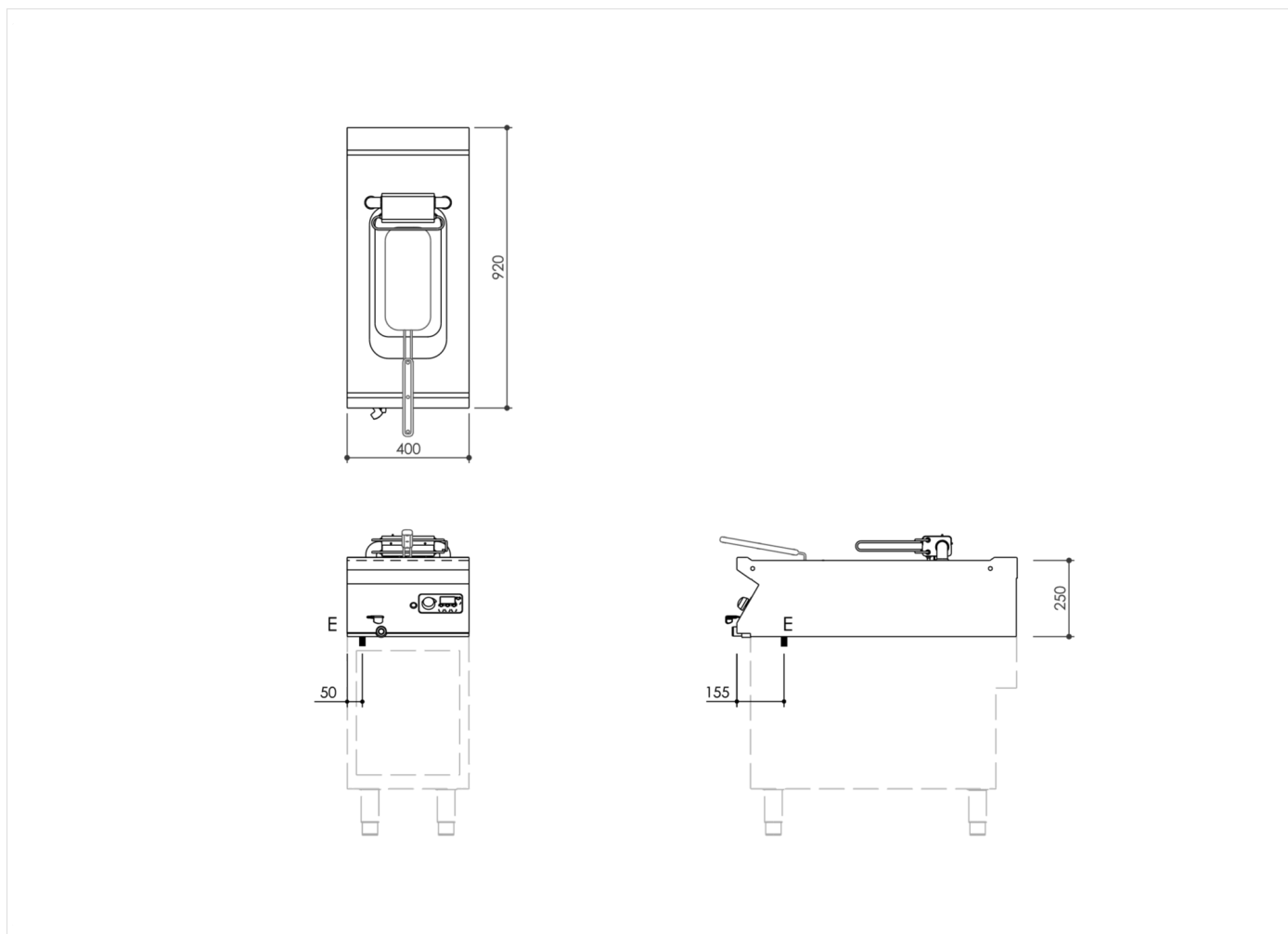
Single pan electric fryer 10 litres top with electronic controls



RANGE	CODE	MODEL	FUNCTION
MI - 90	MAMCOOO8750	FR94EIOKT	Fryers

ITEM

Single pan electric fryer 10 litres top with electronic controls



INSTALLATION SPECIFICATIONS

(E) Electrical Connection: VAC400 3N 50 / 60 Hz

