

RANGE	CODE	MODEL	FUNCTION
MI - 90	MAMCOOO8760	FR96EIOKT	Fryers

ITEM

**Twin pan electric fryer 10+ 10 litres top with electronic controls**

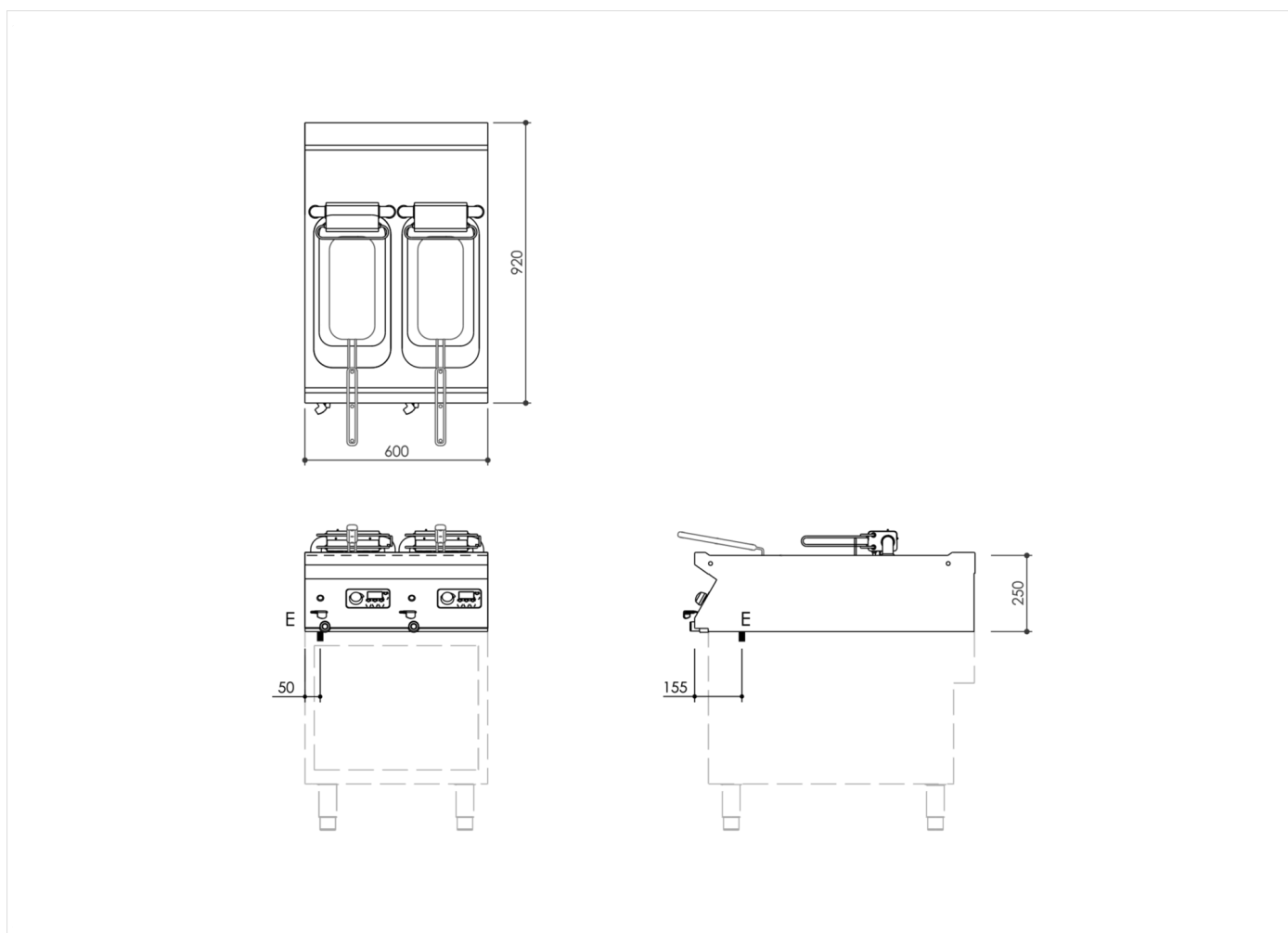




RANGE	CODE	MODEL	FUNCTION
MI - 90	MAMCOOO8760	FR96EIOKT	Fryers

ITEM

**Twin pan electric fryer 10+ 10 litres top with electronic controls**



**INSTALLATION SPECIFICATIONS**

(E) Electrical Connection: **VAC400 3N 50 / 60 Hz**

