

RANGE

Blast Chillers

CODE

RF42IMABKYBIOOEJ2A

MODEL

MSTO5IAR-R290

ITEM

Blast chiller mixed temperatures 5 x GN I/I with air cooled system version without top



RANGE

CODE

MODEL

Blast Chillers

RF42IMABKYBIOOEJ2A

MSTO5IAR-R29O

ITEM

Blast chiller mixed temperatures 5 x GN I/I with air cooled system version without top



TECHNICAL SPECIFICATIONS

WIDTH (mm):	790
DEPTH (mm):	820
HEIGHT (mm):	855
WEIGHT (Kg):	150
VOLUME (m ³):	0.86
EL. POWER (kW):	1.38
VOLTAGE:	220V-IN+PE
FREQUENCY (Hz):	50 Hz
INTERNAL DIM. (mm):	400x430x670(h) mm
INSULATION THICKNESS (mm):	60
REFRIGERANT POWER (W):	814
GN - TRAY CAPACITY:	38513
INTERAXIS (mm):	70
GAS TYPE:	R290
REFRIGERANT QUANTITY (g):	1000
CLIMATE CLASS:	5
FAST CHILLING YIELD (+3°C) - Kg:	25
FAST CHILLING YIELD (-18°C) - Kg:	15
YIELD PER CYCLE +65/+10°C - Kg:	20
YIELD PER CYCLE +65/-18°C - Kg:	10

DESCRIPTION

Blast Chilling mixed temperature from +90°C to +3°C/from +90°C to -18°C. Tray capacity GN I/I x IO/6/5, distance between trays 35/53/70 mm. Full length side tray (530 mm.) insertion. Blast chiller with electronic control, extractable tray holder. Air cooled unit, refrigerant gas R290. Left hinged door with magnetic gasket and self-closing hinge, easy operating and washable evaporator with hinged opening deflector. Bottom tray to collect washing and condense water, removable front condensing unit grid for ease of cleaning. Output per cycle kg.18 from +90° C to +3° C / kg.12 from +90°C to -18°C. Equipped with core temperature probe. Version without top for positioning under stand or worktop.



RANGE

CODE

MODEL

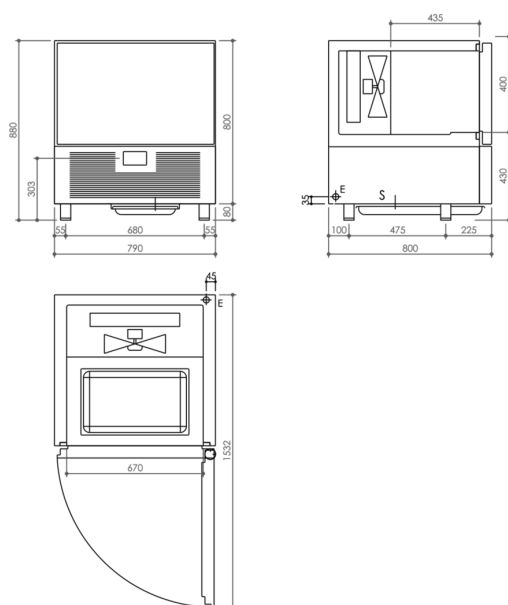
Blast Chillers

RF42IMABKYBIOOEJ2A

MSTO5IAR-R29O

ITEM

Blast chiller mixed temperatures 5 x GN I/I with air cooled system version without top



INSTALLATION SPECIFICATIONS

(E) Electrical Connection: **220V-IN+PE 50 Hz**

(S): **Drain Connection**

