

RANGE

Blast Chillers

CODE

RF42BMABKFBIOOAE3A

MODEL

MCO51A-R290

ITEM

Multifunction blast chiller 6 x GN I/I with air cooled system



RANGE

CODE

MODEL

Blast Chillers

RF42BMABKFBIOOAE3A

MCO51A-R290

ITEM

Multifunction blast chiller 6 x GN I/I with air cooled system



TECHNICAL SPECIFICATIONS

WIDTH (mm):	790
DEPTH (mm):	820
HEIGHT (mm):	900
WEIGHT (Kg):	150
VOLUME (m ³):	0.86
EL. POWER (kW):	2.58
VOLTAGE:	220V-IN+PE
FREQUENCY (Hz):	50 Hz
INTERNAL DIM. (mm):	670x430x400(h) mm
INSULATION THICKNESS (mm):	60
REFRIGERANT POWER (W):	1212
GN - TRAY CAPACITY:	38513
INTERAXIS (mm):	70
GAS TYPE:	R290
REFRIGERANT QUANTITY (g):	1200
CLIMATE CLASS:	5
FAST CHILLING YIELD (+3°C) - Kg:	35
FAST CHILLING YIELD (-18°C) - Kg:	25
YIELD PER CYCLE +65/+10°C - Kg:	30
YIELD PER CYCLE +65/-18°C - Kg:	20

DESCRIPTION

Multifunction blast chiller with air cooling system, tray capacity GN I/I x IO/6/5, distance between trays 35/53/70 mm. 7" touch-screen control panel with 5 options: positive blast chilling + conservation phase, negative blast chilling + conservation phase, thawing, proofing retarder, low temperature cooking + chilling, low temperature cooking. working temperature range +85° / -18°. High performance copper aluminium condenser class T, ambient temperature + 43°. Output per cycle (+65°/+10°) kg. 30. Output per cycle (+65°/-18°) kg. 20. Heating element in the door frame. Hot gas defrosting system. R290 ecological refrigerant fluid. Copper-aluminium evaporator with cataphoresis anti-corrosion treatment. High performance copper-aluminium condenser. Inner dimensions of the chamber 670x430x400 mm. Minimum wheelbase for tray holder guides 17,5 mm. High density polyuretane's insulation (approx 42 kg/m³). HCFC free. Side Panel thickness: 60 mm. Back panel thickness 50 mm.



RANGE

CODE

MODEL

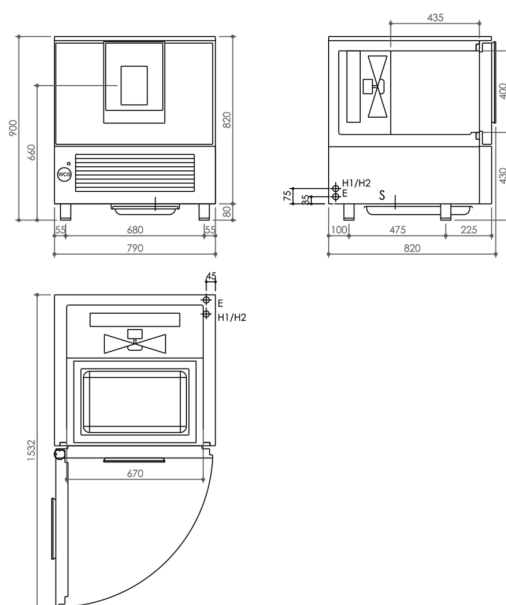
Blast Chillers

RF42BMABKFBIOOAE3A

MCO51A-R290

ITEM

Multifunction blast chiller 6 x GN I/I with air cooled system



INSTALLATION SPECIFICATIONS

(E) Electrical Connection:	220V-IN+PE 50 Hz
(S):	Drain Connection
(H1):	Water Inlet Connection
(H2):	Water Outlet Connection

