

RANGE

**Blast Chillers**

CODE

**RF42BMABEFBIOOAE3A**

MODEL

**MCO5IR**

ITEM

**Multifunction blast chiller 6 x GN I/I prepared for remote air cooled unit**



RANGE

CODE

MODEL

**Blast Chillers**

**RF42BMABEFBIOOAE3A**

**MCO5IR**

ITEM

**Multifunction blast chiller 6 x GN I/I prepared for remote air cooled unit**



#### TECHNICAL SPECIFICATIONS

WIDTH (mm):	<b>790</b>
DEPTH (mm):	<b>820</b>
HEIGHT (mm):	<b>900</b>
WEIGHT (Kg):	<b>150</b>
VOLUME (m <sup>3</sup> ):	<b>0.86</b>
EL. POWER (kW):	<b>2.58</b>
VOLTAGE:	<b>220V-IN+PE</b>
FREQUENCY (Hz):	<b>50 Hz</b>
INTERNAL DIM. (mm):	<b>670x430x400(h) mm</b>
INSULATION THICKNESS (mm):	<b>60</b>
REFRIGERANT POWER (W):	<b>1212</b>
GN - TRAY CAPACITY:	<b>38513</b>
INTERAXIS (mm):	<b>70</b>
REFRIGERANT QUANTITY (g):	<b>1200</b>
CLIMATE CLASS:	<b>5</b>
FAST CHILLING YIELD (+3°C) - Kg:	<b>35</b>
FAST CHILLING YIELD (-18°C) - Kg:	<b>25</b>
YIELD PER CYCLE +65/+10°C - Kg:	<b>30</b>
YIELD PER CYCLE +65/-18°C - Kg:	<b>20</b>

#### DESCRIPTION

Multifunction blast chiller with remote air cooling system, tray capacity GN I/I x IO/6/5, distance between trays 35/53/70 mm. 7" touch-screen control panel with 5 options: positive blast chilling + conservation phase, negative blast chilling + conservation phase, thawing, proofing retarder, low temperature cooking + chilling, low temperature cooking. working temperature range +85° / -18°. Output per cycle (+65°/+10°) kg. 30. Output per cycle (+65°/-18°) kg. 20. Heating element in the door frame. Hot gas defrosting system. Copper-aluminium evaporator with cataphoresis anti-corrosion treatment. High performance copper-aluminium condenser. Inner dimensions of the chamber 670x430x400 mm. Minimum wheelbase for tray holder guides 17,5 mm. High density polyurethane's insulation (approx 42 kg/m3). HCFC free. Side Panel thickness: 60 mm. Back panel thickness 50 mm. Remote condensing unit not included.



RANGE

CODE

MODEL

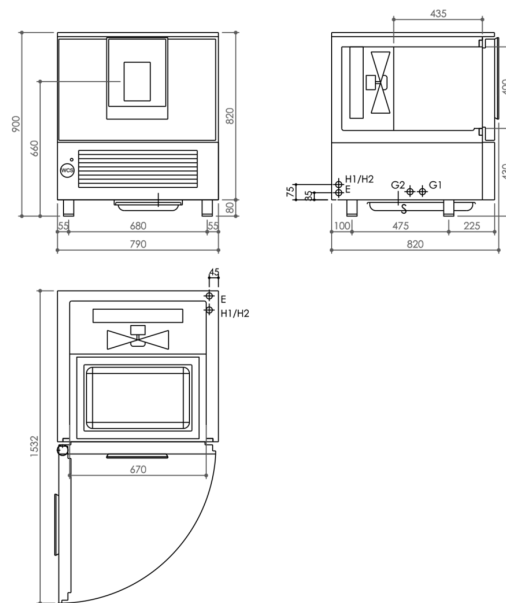
**Blast Chillers**

**RF42BMABEFBIOOAE3A**

**MCO5IR**

ITEM

**Multifunction blast chiller 6 x GN I/I prepared for remote air cooled unit**



### INSTALLATION SPECIFICATIONS

(E) Electrical Connection:	220V-IN+PE 50 Hz
(S):	Drain Connection
(H1):	Water Inlet Connection
(H2):	Water Outlet Connection
(H3):	Water Inlet Connection
(H4):	Water Outlet Connection
(G1):	Refrigerant Gas Inlet Connection
(G2):	Refrigerant gas outlet connection

