

RANGE

Blast Chillers

CODE

RF42BMABEFCIOOAF3A

MODEL

MCO8IR

ITEM

Multifunction blast chiller 8 x GN I/I prepared for remote air cooled unit



RANGE

CODE

MODEL

Blast Chillers**RF42BMABEFCIOOAF3A****MCO8IR**

ITEM

Multifunction blast chiller 8 x GN I/I prepared for remote air cooled unit**TECHNICAL SPECIFICATIONS**

WIDTH (mm):	790
DEPTH (mm):	870
HEIGHT (mm):	1460
WEIGHT (Kg):	190
VOLUME (m ³):	1.39
EL. POWER (kW):	3
VOLTAGE:	220V-IN+PE
FREQUENCY (Hz):	50 Hz
INTERNAL DIM. (mm):	670x450x730(h) mm
INSULATION THICKNESS (mm):	60
REFRIGERANT POWER (W):	1230
GN - TRAY CAPACITY:	40I65
INTERAXIS (mm):	73
REFRIGERANT QUANTITY (g):	1300
CLIMATE CLASS:	5
FAST CHILLING YIELD (+3°C) - Kg:	50
FAST CHILLING YIELD (-18°C) - Kg:	35
YIELD PER CYCLE +65/+10°C - Kg:	45
YIELD PER CYCLE +65/-18°C - Kg:	30

DESCRIPTION

Multifunction blast chiller with remote air cooling system, tray capacity GN I/I x 18/12/9, distance between trays 36/55/73 mm. 7" touch-screen control panel with 5 options: positive blast chilling + conservation phase, negative blast chilling + conservation phase, thawing, proofing retarder, low temperature cooking + chilling, low temperature cooking. working temperature range +85° / -18°. Output per cycle (+65°/+10°) kg. 45. Output per cycle (+65°/-18°) kg. 30. Heating element in the door frame. Hot gas defrosting system. Copper-aluminium evaporator with cataphoresis anti-corrosion treatment. High performance copper-aluminium condenser. Inner dimensions of the chamber 670x450x730 mm. Minimum wheelbase for tray holder guides 17,5 mm. High density polyurethane's insulation (approx 42 kg/m3). HCFC free. Side Panel thickness: 60 mm. Back panel thickness 60 mm. Remote condensing unit not included.



RANGE

CODE

MODEL

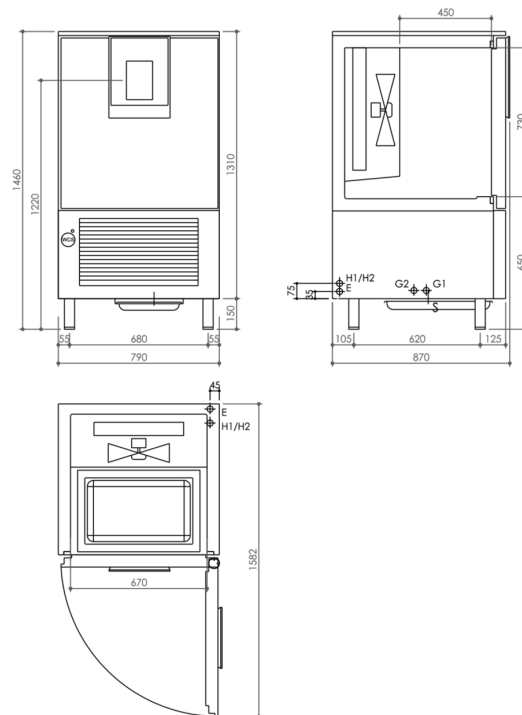
Blast Chillers

RF42BMABEFCIOOAF3A

MCO8IR

ITEM

Multifunction blast chiller 8 x GN I/I prepared for remote air cooled unit



INSTALLATION SPECIFICATIONS

(E) Electrical Connection:	220V-IN+PE 50 Hz
(S):	Drain Connection
(H1):	Water Inlet Connection
(H2):	Water Outlet Connection
(H3):	Water Inlet Connection
(H4):	Water Outlet Connection
(G1):	Refrigerant Gas Inlet Connection
(G2):	Refrigerant gas outlet connection

