

RANGE

Rack conveyor dishwashers

CODE

CR1300550

MODEL

MRXCIOIES

ITEM

Rack conveyor Dishwasher RX Compact Electric version - Lh



RANGE

Rack conveyor dishwashers

CODE

CR1300550

MODEL

MRXCIOIES

ITEM

Rack conveyor Dishwasher RX Compact Electric version - Lh



TECHNICAL SPECIFICATIONS

WIDTH (mm):	1080
DEPTH (mm):	715
HEIGHT (mm):	1565
WEIGHT (Kg):	210
VOLUME (m ³):	1.25
GAS POWER (kW):	0
EL. POWER (kW):	19.1
VOLTAGE (V):	400V 3N
FREQUENCY (Hz):	50 Hz
BASKET SIZE (mm):	500x500
MAX PLATE DIAMETER (mm):	450
GN/EN:	GN I/I

SEC./CYCLE	BASKETS/HOUR - 10°C
------------	---------------------



RANGE

Rack conveyor dishwashers

CODE

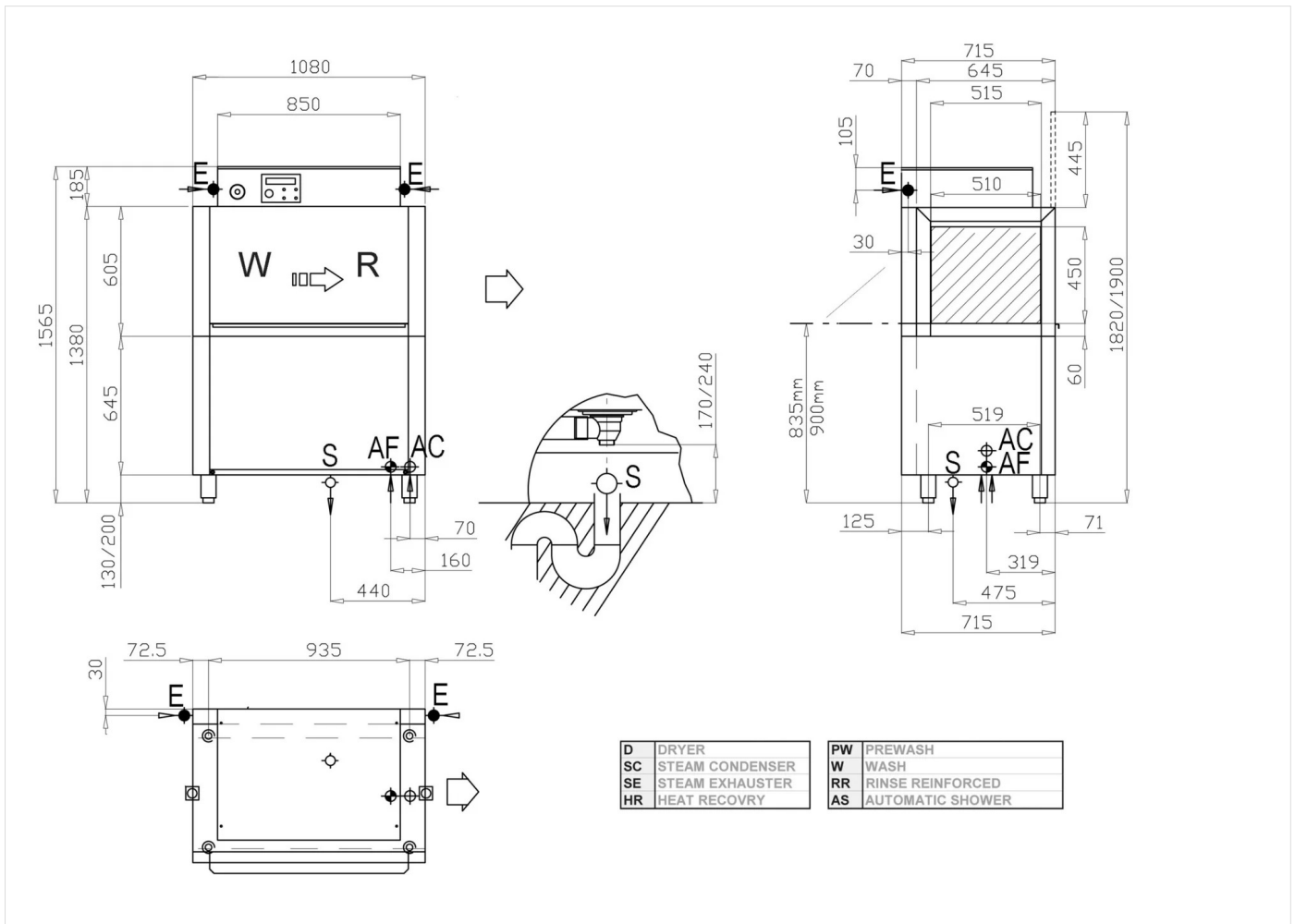
CR1300550

MODEL

MRXCIOIES

ITEM

Rack conveyor Dishwasher RX Compact Electric version - Lh



INSTALLATION SPECIFICATIONS

(E) Electrical Connection:	400V 3N 50 Hz
(AF) Cold Water Inlet:	Ø3/4-H=150mm
(AC) Hot Water Inlet:	Ø3/4-H=150mm-60°C(2/4bar)
(S) Output Drain:	Ø1 1/4-H=170/240mm.

