

RANGE

Washers

CODE

CRI301180

MODEL

MLP3SP

ITEM

LP3-series electric dishwasher Plus version



RANGE

Washers

CODE

CR1301180

MODEL

MLP3SP

ITEM

LP3-series electric dishwasher Plus version**DESCRIPTION**

AISI 304 stainless steel electric pot and utensil washer. Electronic, with energy saving function. Double-walled. Rinse pump as standard. Self-cleaning vertical pump. Fully moulded staged tank. Independent stainless steel wash/rinse arms. Double tank filter with drain, removable waste collector and pump filter. Thermostat to ensure rinsing temperature in accordance with HACCP requirements. Multichromatic Start key. Automatic self-cleaning cycle. The wash pumps start one after the other to reduce the electrical cue. Double skinned door that can be used as a countertop. Backlit multichrome start button, with multichrome and flashing functions, indicates the status of the washer in real time. Each colour indicates a precise work step: White: programming Red: loading and heating Flashing red: alarm Green: machine ready Green and Flashing light blue: cycle end Light blue: cycle running Flashing light blue: tank drain, boiler total drain, self-cleaning and regeneration Baskets/hour 10/20/6/5. Washing cycles 180/360/540/720. Washing pump kW 2.18x2. Boiler heating element kW 9. Tank heating element kW 6. Total absorption kW 13.36. Tank capacity lt. 78. Boiler capacity lt. 20. Water consumption lt. 4.3. Basket size 850x725 cm. Useful height mm. 645. Maximum tray height 645. Standard accessories: 1 x Stainless steel basket, 1 x Stainless steel tray holder, 1 x Stainless steel spatula holder.



RANGE

Washers

CODE

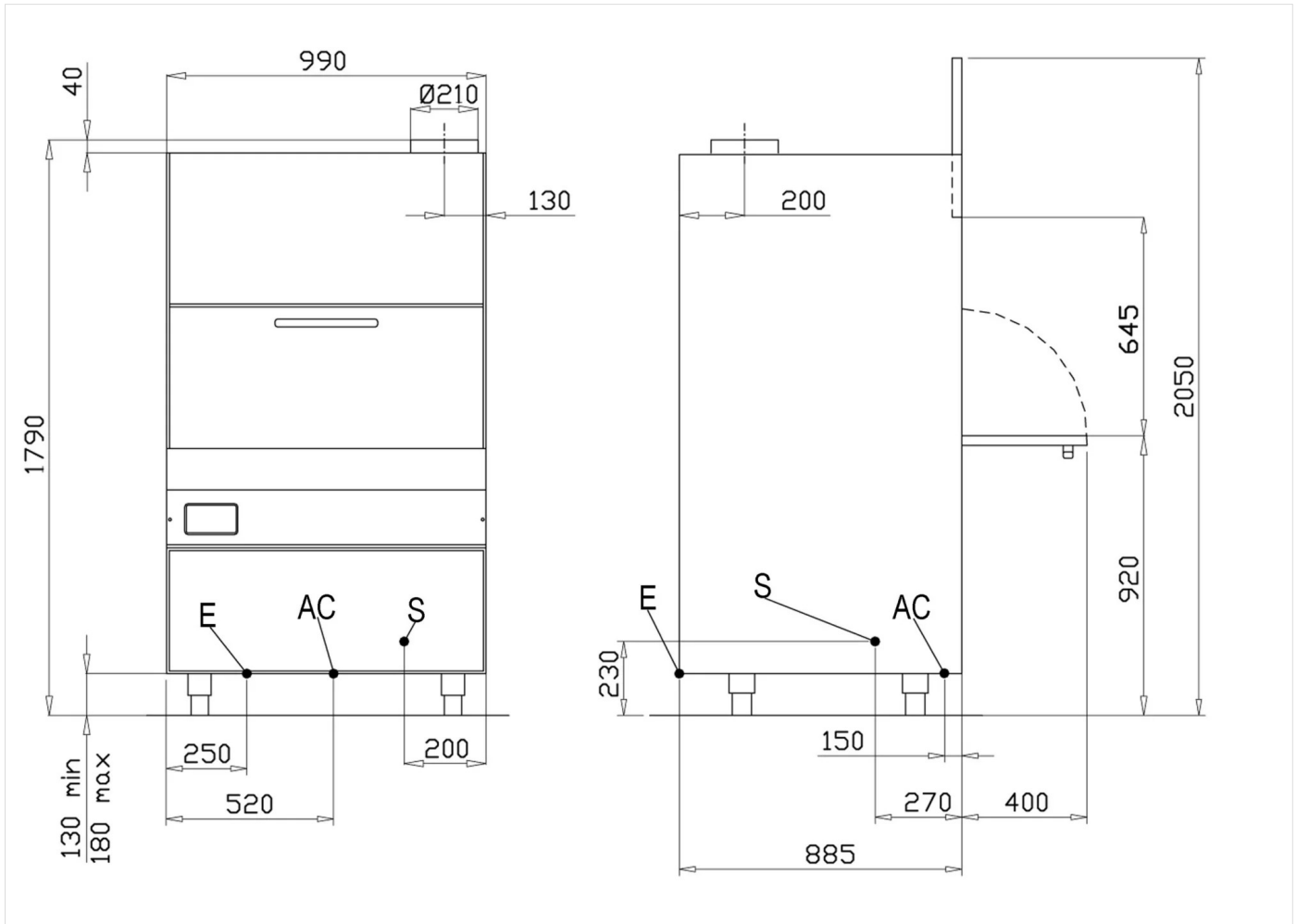
CR1301180

MODEL

MLP3SP

ITEM

LP3-series electric dishwasher Plus version



INSTALLATION SPECIFICATIONS

(E) Electrical Connection:	400V 3N 50 Hz
(AC) Hot Water Inlet:	Ø3/4-H=150mm-60°C(2/4bar)
(S) Output Drain:	Ø24mm-H=230mm.

