



RANGE

Warewashers

CODE

CRI30I350

MODEL

MGR90OP

ITEM

GR Plus Granule electric warewasher



**TECHNICAL SPECIFICATIONS**

WIDTH (mm):	1095
DEPTH (mm):	910
HEIGHT (mm):	1910
OPEN HEIGHT (mm):	2020
WEIGHT (Kg):	303
VOLUME (m <sup>3</sup> ):	1.9
GAS POWER (kW):	0
EL. POWER (kW):	13
VOLTAGE (V):	400V 3N
FREQUENCY (Hz):	50 Hz
WATER PRESSURE:	200-400 kPa
BASKET SIZE (mm):	Ø735X240
INTERNAL OVEN DIM. (mm):	635
BOILER CAPACITY (L):	20
BOILER RESISTANCE (kW):	9
TANK CAPACITY (L):	103
TANK RESISTANCE (kW):	9
WASHING PUMP POWER (W):	3780
N° CYCLES:	11
GN/EN:	2x GN 2/I H140

SEC./CYCLE	BASKETS/HOUR - 10°C	BASKETS/HOUR - 55°C
240 "	15	15
240 "	15	15
360 "	10	10
360 "	10	10
480 "	7	7
480 "	7	7
600 "	6	6
600 "	6	6
720 "	5	5



720 "		5	5
900 "		4	4
<b>W</b> arewashers	<b>GR</b> anule	<b>GR</b> anule	

ITEM

**GR Plus Granule electric warewasher**



RANGE

**Warewashers**

CODE

**CRI30I350**

MODEL

**MGR90OP**

ITEM

**GR Plus Granule electric warewasher****DESCRIPTION**

AlSi 304 stainless steel electric granules pot and utensil washer with constant PLUS rinse. Washing system with international double patent. 12 washing cycles of which 6 with water, detergent and granules. Soft Touch, multicolour control panel. Handy LCD display for constant control of operation. Translated commands menu. Double-walled, fully insulated with high thermal-acoustic insulation material. Washing pump with 316 stainless steel body and impeller. AlSi 316 stainless steel washing tank with guaranteed constant thickness. Double vertical, easily extractable washing arms with unobstructable nozzles. Forced ventilation system to reduce steam emissions at the end of the cycle. Easy-to-access electrical and electronic components housed and protected in a special compartment at the front of the machine. Round basket, housed on a rotating table to optimise the mechanical action of the granules. Granules and water mix before entering the pump body, eliminating friction between granules and metal parts, preserving it over time. Granule collection basket with indicator to always ensure the correct amount of granules. The lower half-door becomes the supporting surface that facilitates loading and unloading of the basket, preventing drips. Baskets/hour 15/10/7/6/5/4. Washing cycles 240/360/480/600/720/900. Washing pump kW 3.78. Rinse pump kW 0.25. Boiler heating element kW 9. Tank heating element kW 9. Tank capacity lt. 103. Boiler capacity lt. 20. Water consumption lt. 4.4. Basket size mm. Ø735-240h. Useful door height mm. 635. Standard accessories: 1 x Round basket for 6 x GN I/I, 1 x Tray support 10 x GN I/I, 1 x Tray support 4 x 600x400x20h. - 4 x 600x400x50h.



RANGE

CODE

MODEL

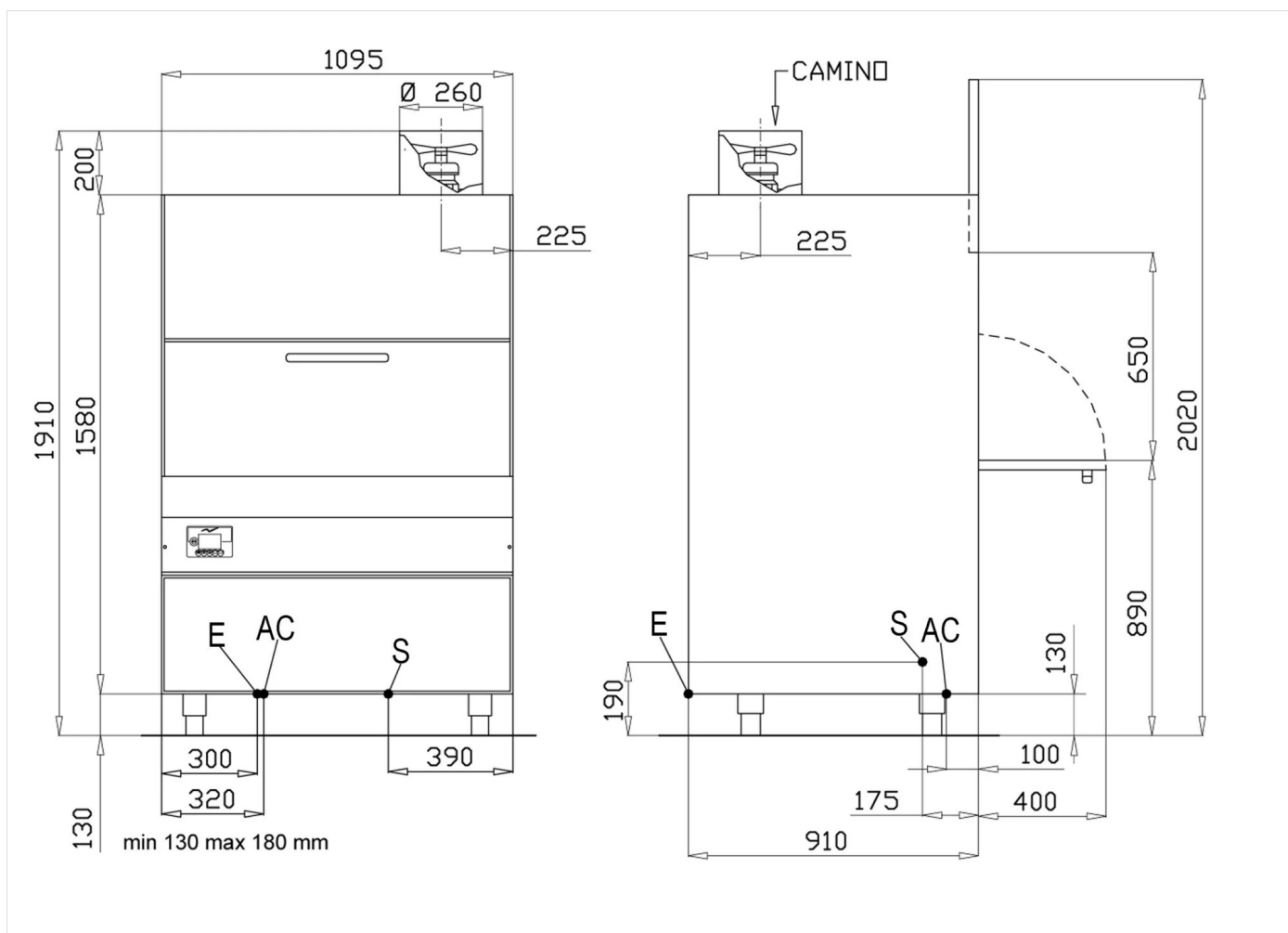
**Washers**

**CRI3O135O**

**MGR9OOP**

ITEM

**GR Plus Granule electric dishwasher**



## INSTALLATION SPECIFICATIONS

(E) Electrical Connection:	400V 3N 50 Hz
(AC) Hot Water Inlet:	Ø3/4-H=130mm-60°C(2/4bar)
(S) Output Drain:	Ø24mm-H=190mm.

