

RANGE

Self Service Free-Flow 867

CODE

CRO515179

MODEL

SDVCI2S

FUNCTION

Heated Units drop-in

ITEM

3 GN I/I container drop-in bain-marie, prepared for upper shelf installation



RANGE	CODE	MODEL	FUNCTION
Self Service Free-Flow 867	CRO515179	SDVC12S	Heated Units drop-in

ITEM
3 GN I/I container drop-in bain-marie, prepared for upper shelf installation



TECHNICAL SPECIFICATIONS

WIDTH (mm):	1220
DEPTH (mm):	650
HEIGHT (mm):	260
WEIGHT (Kg):	65
VOLUME (m ³):	0.29
EL. POWER (kW):	2.1
VOLTAGE:	VAC230

DESCRIPTION

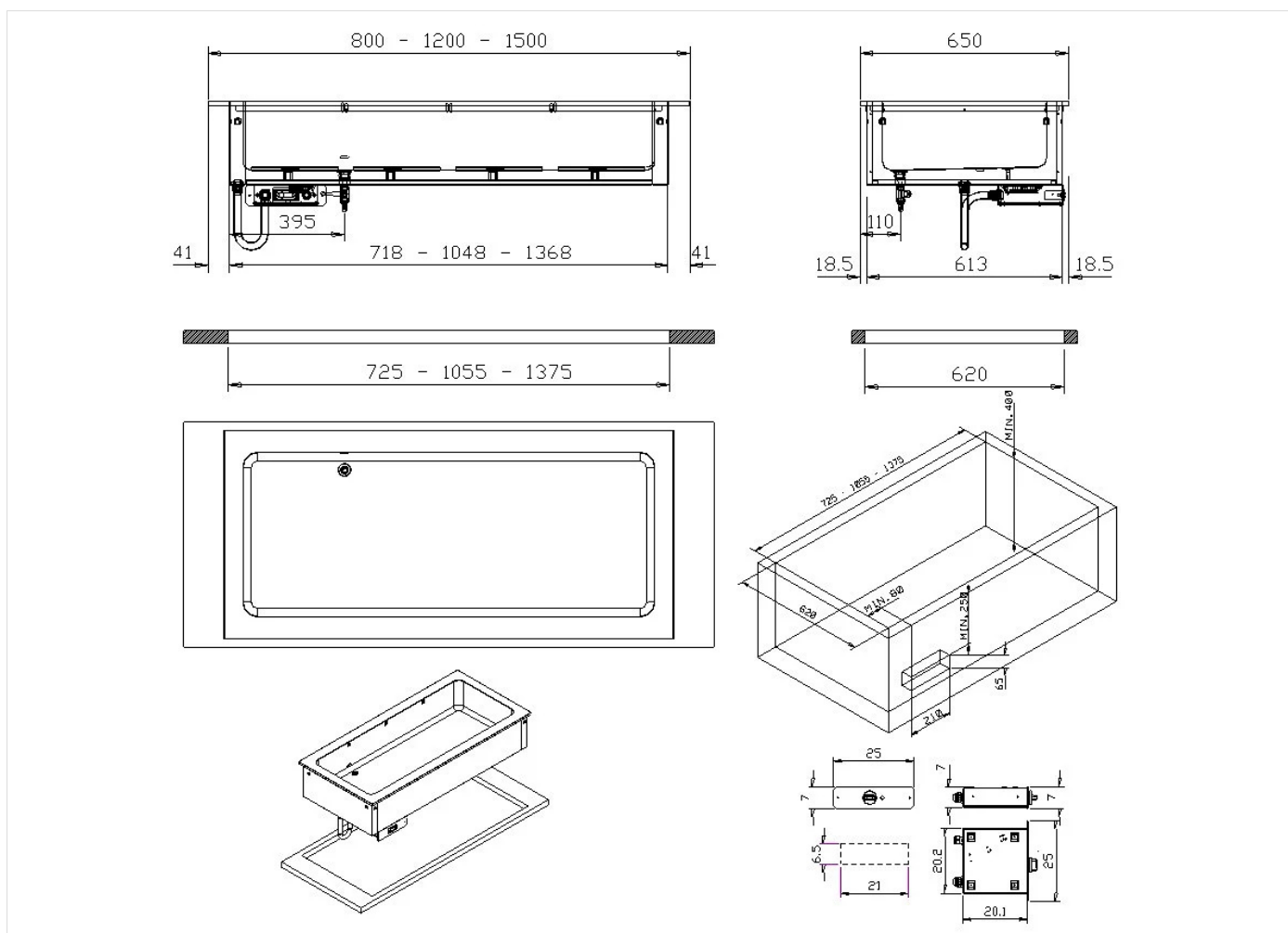
Electrical bain marie unit, tank capacity 3 drop-in GN I/I containers H=200 mm. Electromechanical thermostat adjusted from 30° to 90°C, main switch, warning light, safety thermostat, digital thermometer, tank temperature display. Worktop with square edges H=15 mm. 12/10 thick. Designed to accommodate glass countertop structure. Supplied with control panel.



RANGE	CODE	MODEL	FUNCTION
Self Service Free-Flow 867	CRO5I5I79	SDVC12S	Heated Units drop-in

ITEM

3 GN I/I container drop-in bain-marie, prepared for upper shelf installation



INSTALLATION SPECIFICATIONS

(E) Electrical Connection:	VAC230 50/60Hz
(AF) Cold Water Inlet:	Ø3/4

