

RANGE

Self Service Free-Flow 867

CODE

CRO5I5I40

MODEL

SDPCI2

FUNCTION

Heated Units drop-in

ITEM

3 GN I/I zone heated drop-in glass top



RANGE	CODE	MODEL	FUNCTION
Self Service Free-Flow 867	CRO5I5I4O	SDPCI2	Heated Units drop-in

ITEM
3 GN I/I zone heated drop-in glass top



TECHNICAL SPECIFICATIONS

WIDTH (mm):	1080
DEPTH (mm):	650
HEIGHT (mm):	96
WEIGHT (Kg):	59
VOLUME (m ³):	0.09
EL. POWER (kW):	0.75
VOLTAGE:	VAC230

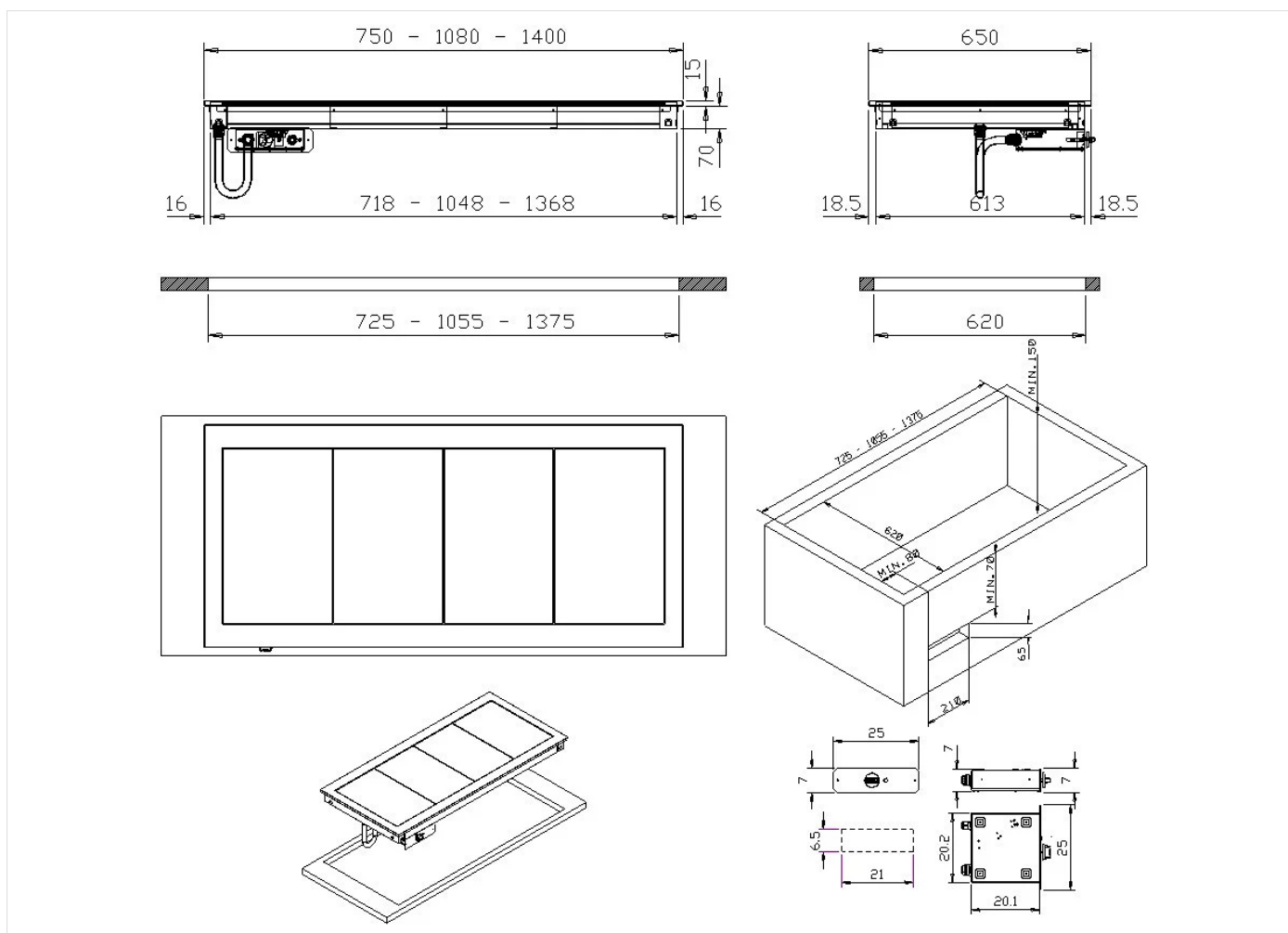
DESCRIPTION

Drop-in electric unit with heated glass top 0.75 kW tempered glass hotplate with 3 zones GN I/I, top size 960x510 mm. Six-temperature level energy adjuster +40+100°C. Warning light. Worktop with square edges H=15 mm. 12/10 thick. Supplied with control panel.



RANGE	CODE	MODEL	FUNCTION
Self Service Free-Flow 867	CRO515140	SDPCI2	Heated Units drop-in

ITEM
3 GN I/I zone heated drop-in glass top



INSTALLATION SPECIFICATIONS

(E) Electrical Connection: VAC230 50/60Hz

