

RANGE

**Self Service Free-Flow 867**

CODE

**CRO5I5I5O**

MODEL

**SDPC15**

FUNCTION

**Heated Units drop-in**

ITEM

**4 GN I/I zone heated drop-in glass top**



RANGE	CODE	MODEL	FUNCTION
<b>Self Service Free-Flow 867</b>	<b>CRO5I5I5O</b>	<b>SDPCI5</b>	<b>Heated Units drop-in</b>

ITEM  
**4 GN I/I zone heated drop-in glass top**



#### TECHNICAL SPECIFICATIONS

WIDTH (mm):	<b>1400</b>
DEPTH (mm):	<b>650</b>
HEIGHT (mm):	<b>96</b>
WEIGHT (Kg):	<b>78</b>
VOLUME (m <sup>3</sup> ):	<b>0.12</b>
EL. POWER (kW):	<b>1</b>
VOLTAGE:	<b>VAC230</b>

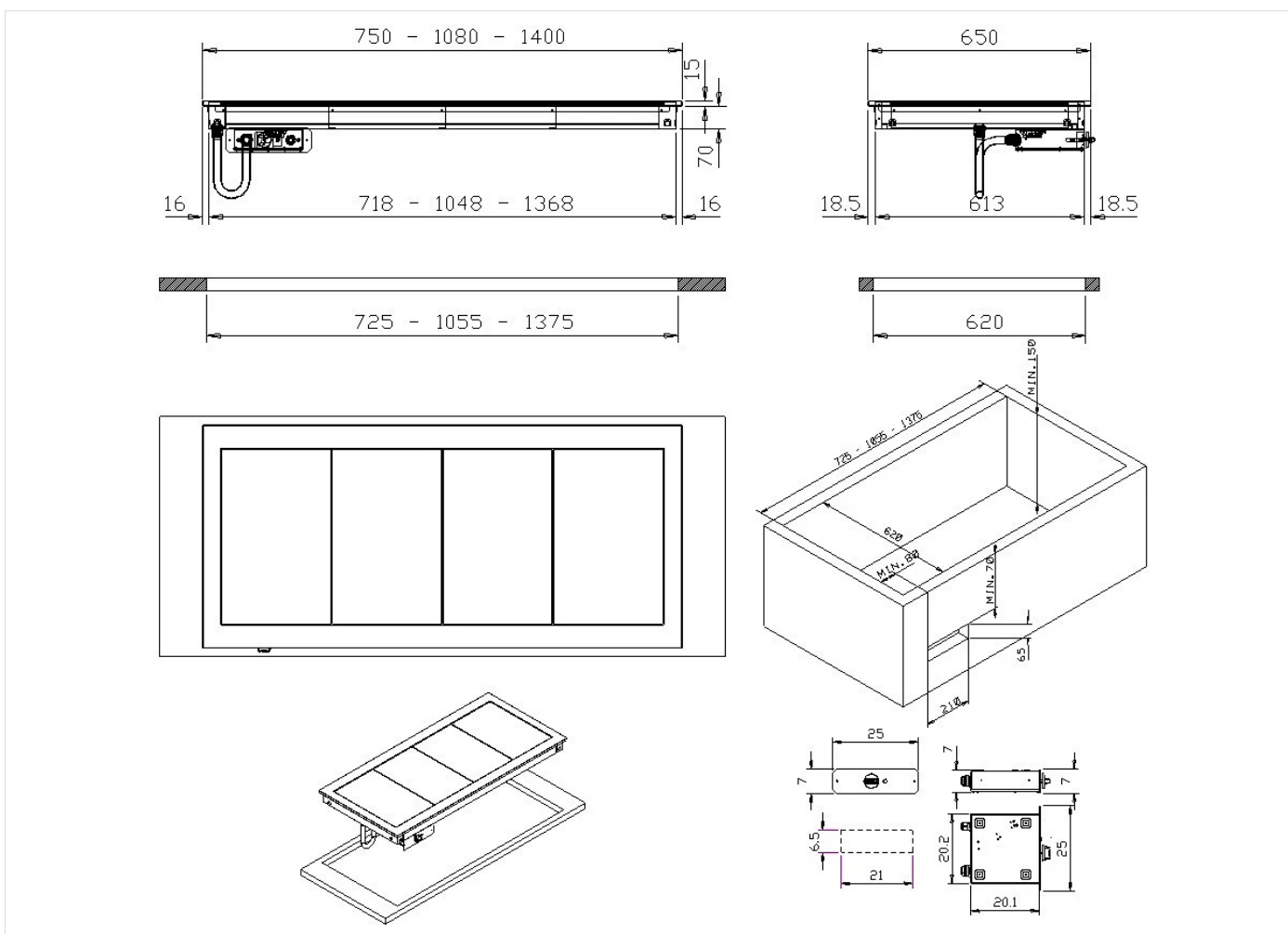
#### DESCRIPTION

Drop-in electric unit with heated glass top 1 kW tempered glass hotplate with 4 zones GN I/I, top size 1280x510 mm. Six-temperature level energy adjuster +40+100°C. Warning light. Worktop with square edges H=15 mm. 12/10 thick. Supplied with control panel.



RANGE	CODE	MODEL	FUNCTION
Self Service Free-Flow 867	CRO5I5I5O	SDPCI5	Heated Units drop-in

ITEM  
4 GN I/I zone heated drop-in glass top



### INSTALLATION SPECIFICATIONS

(E) Electrical Connection: **VAC230 50/60Hz**

