

RANGE	CODE	MODEL	FUNCTION
MI - 70	MAMCOOOI280	FT78GMT#	Griddles - Mild Steel Plate

ITEM

Gas griddle top with 2/3 smooth and 1/3 ribbed plate



RANGE	CODE	MODEL	FUNCTION
MI - 70	MAMCOOOI280	FT78GMT#	Griddles - Mild Steel Plate

ITEM

Gas griddle top with 2/3 smooth and 1/3 ribbed plate



TECHNICAL SPECIFICATIONS

WIDTH (mm):	800
DEPTH (mm):	750
HEIGHT (mm):	250
WEIGHT (Kg):	93
VOLUME (m ³):	0.4
GAS POWER (kW):	12
COOKING ZONES N°:	2
COOKING ZONES DIM. (mm):	735x530 mm
COOKING ZONE DETAILS:	2x 7 kW
PRODUCT SPECIFICATIONS:	2/3 Smooth, 1/3 Ribbed Mild Steel Plate
TEMP. RANGE (°C):	0-280 °C

DESCRIPTION

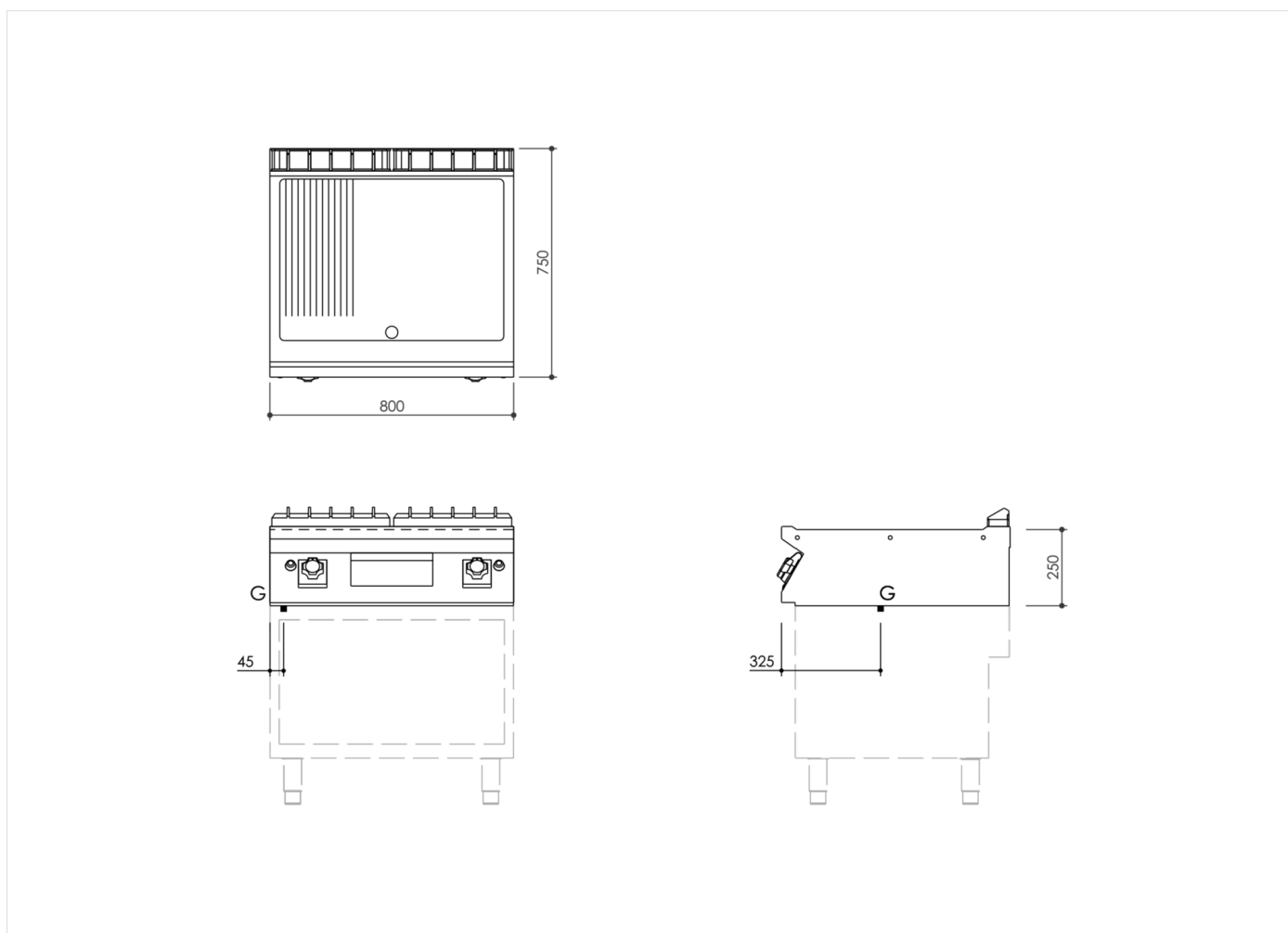
Gas griddle in AISI 304 stainless steel. 20/10 pressed steel top with anti-spill front edge, designed for flush alignment with hermetic seal supplied. Top designed to accommodate water column accessory. Cooking surface with sloping hotplate, 1/3 ribbed 2/3 smooth. Hotplate recessed 40 mm compared to worktop, fully welded construction for guaranteed ease of cleaning. Cooking surface with 65 mm cold zone at front of hotplate. Round Ø 40 mm drain hole for fat. Grease collection tub with 1.5 litre capacity. Heating by means of steel stabilised flame burner having 2 branches and 4 rows of flames for each zone, complete with pilot flame and safety thermocouple. Heating control knob shaped to prevent water infiltration. Gas supply controlled by thermostatic valve with safety thermocouple. Cooking temperature manually controlled from 90°C to 280°C. Automatic ignition by means of piezoelectric device with waterproof cap. Cooking surface 735x530 mm. Scraper supplied for smooth hotplate.



RANGE	CODE	MODEL	FUNCTION
MI - 70	MAMCOOOI280	FT78GMT#	Griddles - Mild Steel Plate

ITEM

Gas griddle top with 2/3 smooth and 1/3 ribbed plate



INSTALLATION SPECIFICATIONS

(G) Gas Inlet: $\text{Ø}1/2''$

