

RANGE

**Self Service Free-Flow 867**

CODE

**CRO955140**

MODEL

**SDVVC08**

FUNCTION

**Heated Units drop-in**

ITEM

**2 GNI/l container fan assisted heated drop-in tank**



RANGE	CODE	MODEL	FUNCTION
<b>Self Service Free-Flow 867</b>	<b>CRO955140</b>	<b>SDVYCO8</b>	<b>Heated Units drop-in</b>

ITEM  
**2 GNI/I container fan assisted heated drop-in tank**



#### TECHNICAL SPECIFICATIONS

WIDTH (mm):	<b>750</b>
DEPTH (mm):	<b>650</b>
HEIGHT (mm):	<b>316</b>
WEIGHT (Kg):	<b>48</b>
VOLUME (m <sup>3</sup> ):	<b>0.22</b>
EL. POWER (kW):	<b>1</b>
VOLTAGE:	<b>VAC230</b>

#### DESCRIPTION

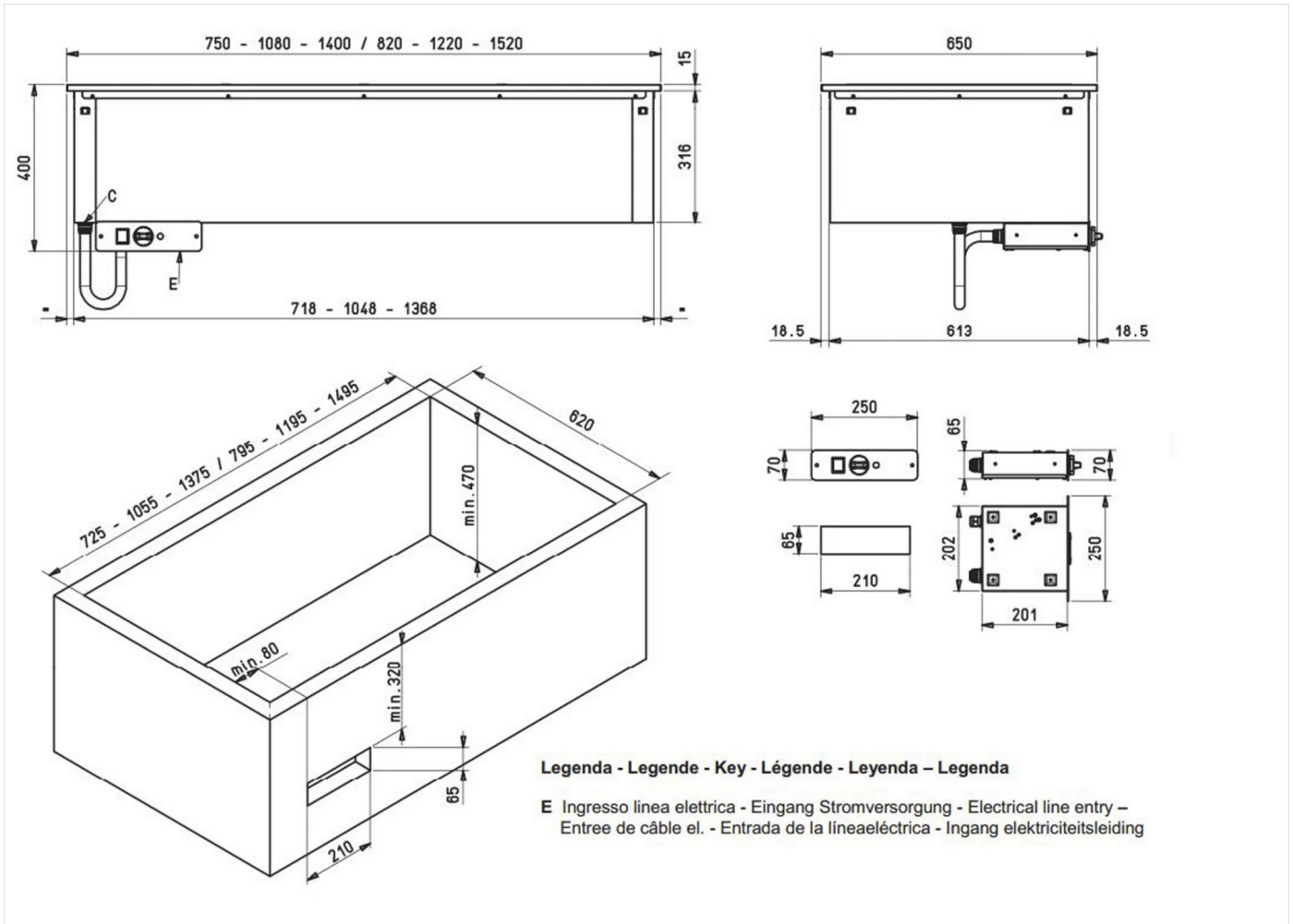
Electrical, ventilated hot element, tank capacity 2 drop-in GN I/I containers H=200 mm. Top heated by filament coil combined with cross-flow fans located under the well. Electromechanical thermostatic control adjustable from 30° to 90°C, main switch, warning light and safety thermostat. Worktop with square edges H=15 mm. I2/I0 thick. Supplied with control panel.



RANGE	CODE	MODEL	FUNCTION
Self Service Free-Flow 867	CRO955I40	SDVYCO8	Heated Units drop-in

ITEM

2 GNI/I container fan assisted heated drop-in tank



INSTALLATION SPECIFICATIONS

(E) Electrical Connection: VAC230 50/60Hz

