

RANGE

Self Service Free-Flow 867

CODE

CRO955I90

MODEL

SDVVC15S

FUNCTION

Heated Units drop-in

ITEM

4 GNI/l container fan assisted heated drop-in tank, prepared for upper shelf installation



RANGE **Self Service Free-Flow 867** CODE **CRO955190** MODEL **SDVVC15S** FUNCTION **Heated Units drop-in**

ITEM
4 GNI/I container fan assisted heated drop-in tank, prepared for upper shelf installation



TECHNICAL SPECIFICATIONS

WIDTH (mm):	1520
DEPTH (mm):	650
HEIGHT (mm):	316
WEIGHT (Kg):	85
VOLUME (m ³):	0.44
EL. POWER (kW):	3
VOLTAGE:	VAC230

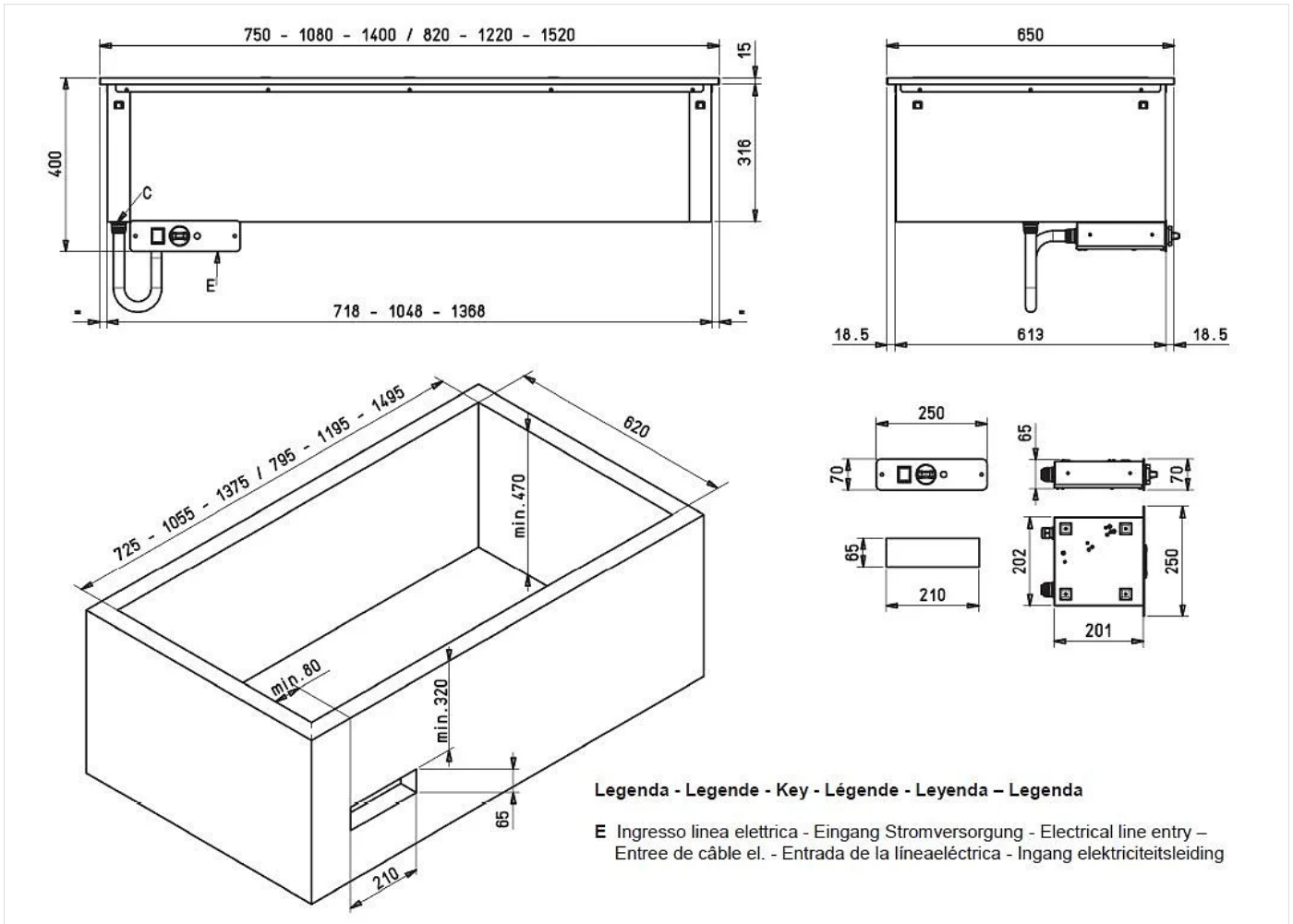
DESCRIPTION

Electrical, ventilated hot element, tank capacity 4 drop-in GN I/I containers H=200 mm. Top heated by filament coil combined with cross-flow fans located under the well. Electromechanical thermostatic control adjustable from 30° to 90°C, main switch, warning light and safety thermostat. Worktop with square edges H=15 mm. I2/I0 thick. Designed to accommodate glass countertop structure. Supplied with control panel.

RANGE	CODE	MODEL	FUNCTION
Self Service Free-Flow 867	CRO955190	SDVYCI5S	Heated Units drop-in

ITEM

4 GNI/I container fan assisted heated drop-in tank, prepared for upper shelf installation



INSTALLATION SPECIFICATIONS

(E) Electrical Connection:	VAC230 50/60Hz
----------------------------	----------------

