

| RANGE | CODE | MODEL | FUNCTION |
|-------------------------|------------------|----------------|-----------------------------------|
| Self-Service 700 | CRO5I5339 | SDPRI5S | Refrigerated units drop-in |

ITEM

4 GNI/I container refrigerated drop-in top, prepared for upper shelf installation



| RANGE | CODE | MODEL | FUNCTION |
|------------------|-----------|---------|----------------------------|
| Self-Service 700 | CRO5I5339 | SDPRI5S | Refrigerated units drop-in |

ITEM

4 GNI/I container refrigerated drop-in top, prepared for upper shelf installation



TECHNICAL SPECIFICATIONS

| | |
|---------------------------|---------------|
| WIDTH (mm): | 1520 |
| DEPTH (mm): | 650 |
| HEIGHT (mm): | 550 |
| WEIGHT (Kg): | 97 |
| VOLUME (m ³): | 0.71 |
| EL. POWER (kW): | 0.3 |
| VOLTAGE: | VAC230 |
| GAS TYPE: | R455a |

DESCRIPTION

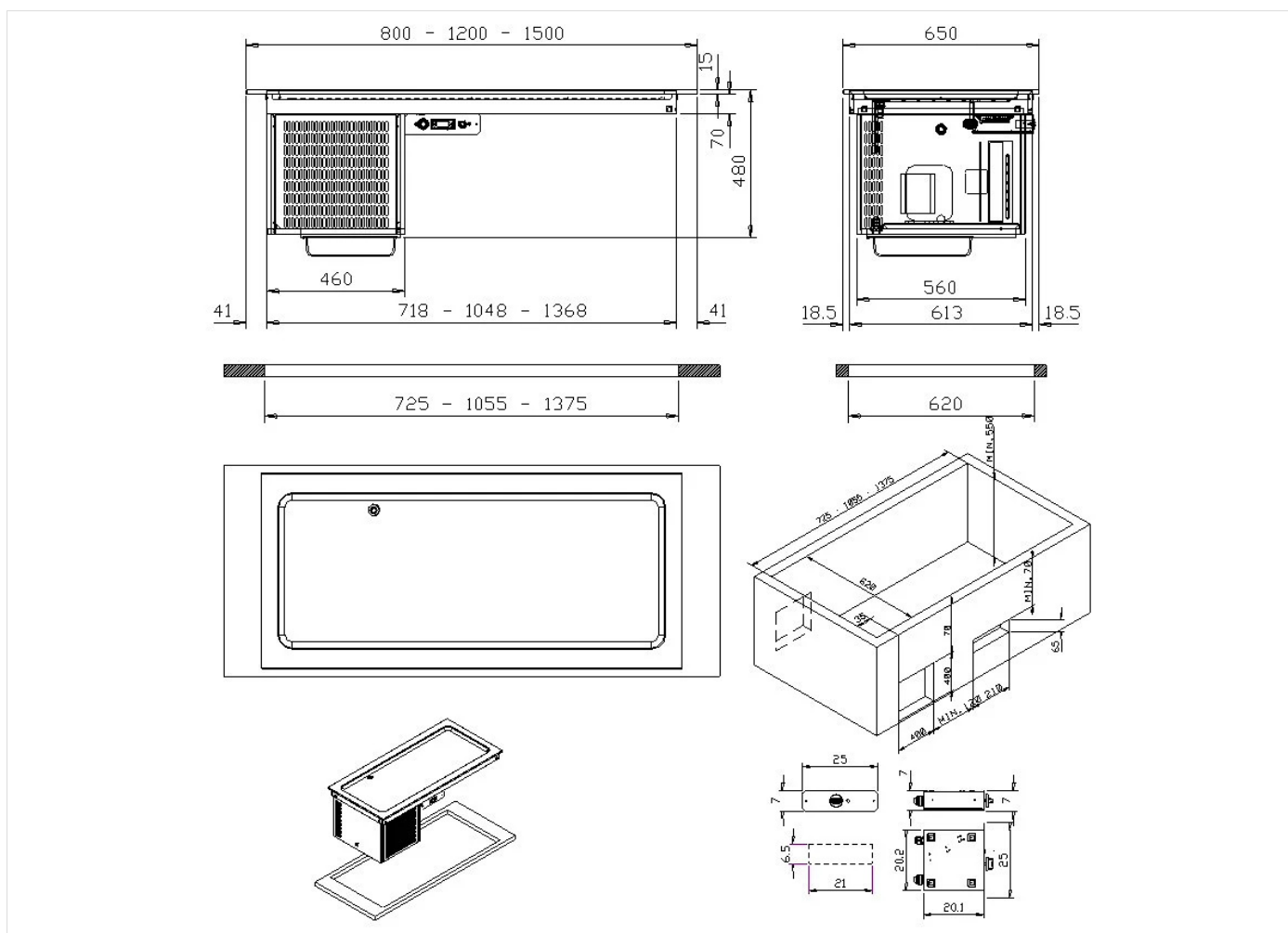
Drop-in unit with refrigerated top, depth 30 mm. capacity 4 GN I/I containers H=25 mm. Refrigerating unit with air condensation. Digital electronic thermostatic control, adjustable to 0 a +8°C, backlit main switch. Refrigerant gas R455a. Polyurethane foam insulation, density 50 kg/m³ contained in a 40 mm thick countertank. AISI 304 stainless steel structure. Top with square edges, 12/10 thick, height 15 mm. Designed to accommodate glass countertop structure. Supplied with control panel.



| RANGE | CODE | MODEL | FUNCTION |
|------------------|-----------|---------|----------------------------|
| Self-Service 700 | CRO5I5339 | SDPRI5S | Refrigerated units drop-in |

ITEM

4 GNI/I container refrigerated drop-in top, prepared for upper shelf installation



INSTALLATION SPECIFICATIONS

(E) Electrical Connection: VAC230 50Hz

