

RANGE	CODE	MODEL	FUNCTION
Self-Service 700	CRO515240	SDVRI5	Refrigerated units drop-in

ITEM
4 GNI/l container refrigerated drop-in tank



RANGE	CODE	MODEL	FUNCTION
Self-Service 700	CRO5I5240	SDVRI5	Refrigerated units drop-in

ITEM
4 GNI/l container refrigerated drop-in tank



TECHNICAL SPECIFICATIONS

WIDTH (mm):	1400
DEPTH (mm):	650
HEIGHT (mm):	730
WEIGHT (Kg):	94
VOLUME (m ³):	0.75
EL. POWER (kW):	0.3
VOLTAGE:	VAC230
GAS TYPE:	R455a

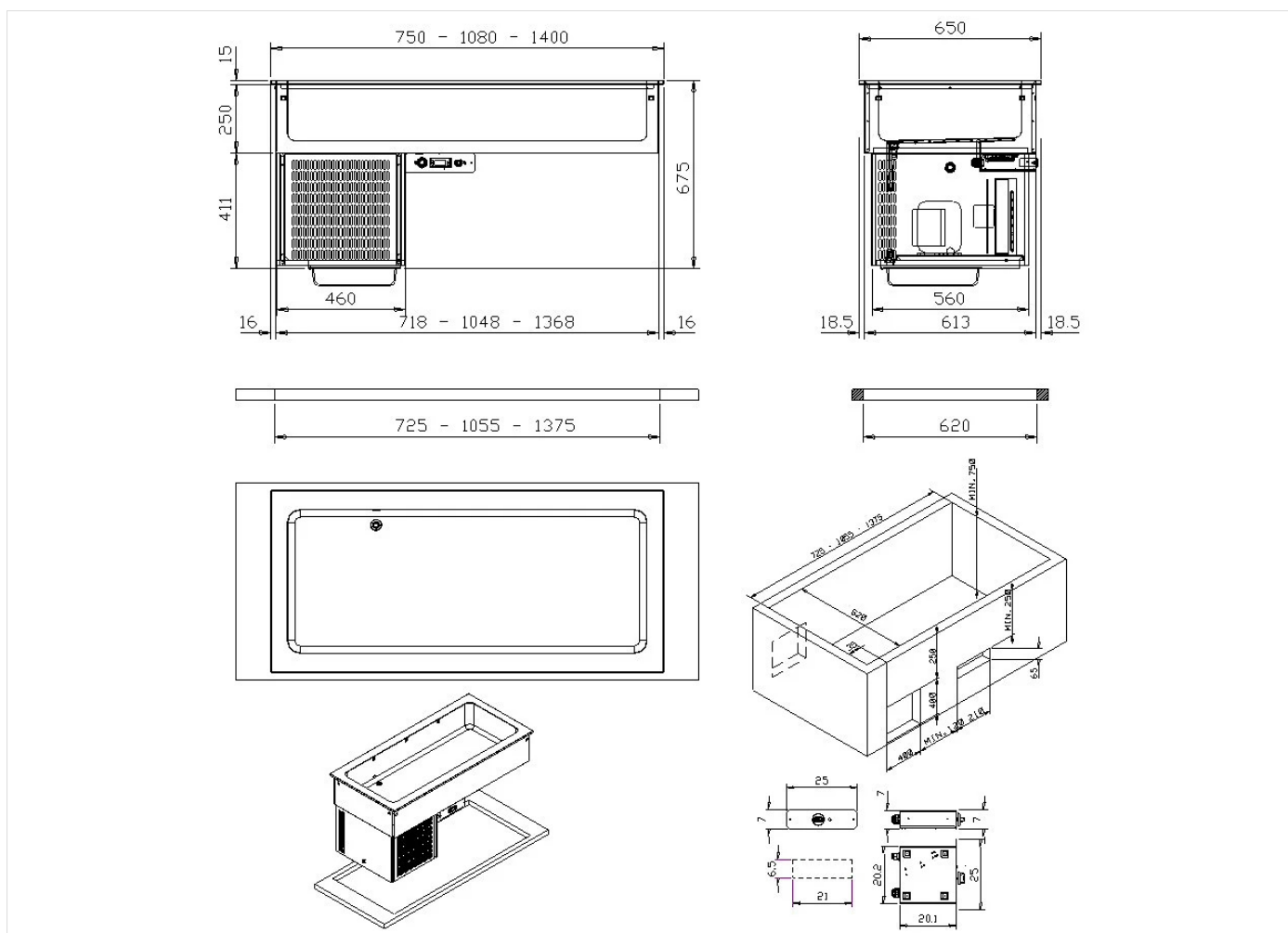
DESCRIPTION

Drop-in unit with refrigerated tank, depth 210 mm. , tank capacity 4 GN l/l containers H=200 mm. Refrigerating unit with air condensation. Digital electronic thermostatic control, adjustable to 0 a +8°C, backlit main switch. Refrigerant gas R455a. Polyurethane foam insulation, density 50 kg/m³ contained in a 40 mm thick countertank. AISI 304 stainless steel structure. Top with square edges, 12/10 thick, height 15 mm. Supplied with control panel.



RANGE	CODE	MODEL	FUNCTION
Self-Service 700	CRO5I5240	SDVR15	Refrigerated units drop-in

ITEM
4 GNI/l container refrigerated drop-in tank



INSTALLATION SPECIFICATIONS

(E) Electrical Connection: VAC230 50Hz

