

RANGE

Self Service Free-Flow 867

CODE

MA91810000

MODEL

SNAC12

FUNCTION

Base units

ITEM

Neutral unit on fan assisted heated cupboard 1200 mm wide



RANGE	CODE	MODEL	FUNCTION
Self Service Free-Flow 867	MA91810000	SNAC12	Base units

ITEM
Neutral unit on fan assisted heated cupboard 1200 mm wide



TECHNICAL SPECIFICATIONS

WIDTH (mm):	1200
DEPTH (mm):	867
HEIGHT (mm):	900
WEIGHT (Kg):	109
VOLUME (m ³):	1.22
EL. POWER (kW):	2.5
VOLTAGE:	VAC230

DESCRIPTION

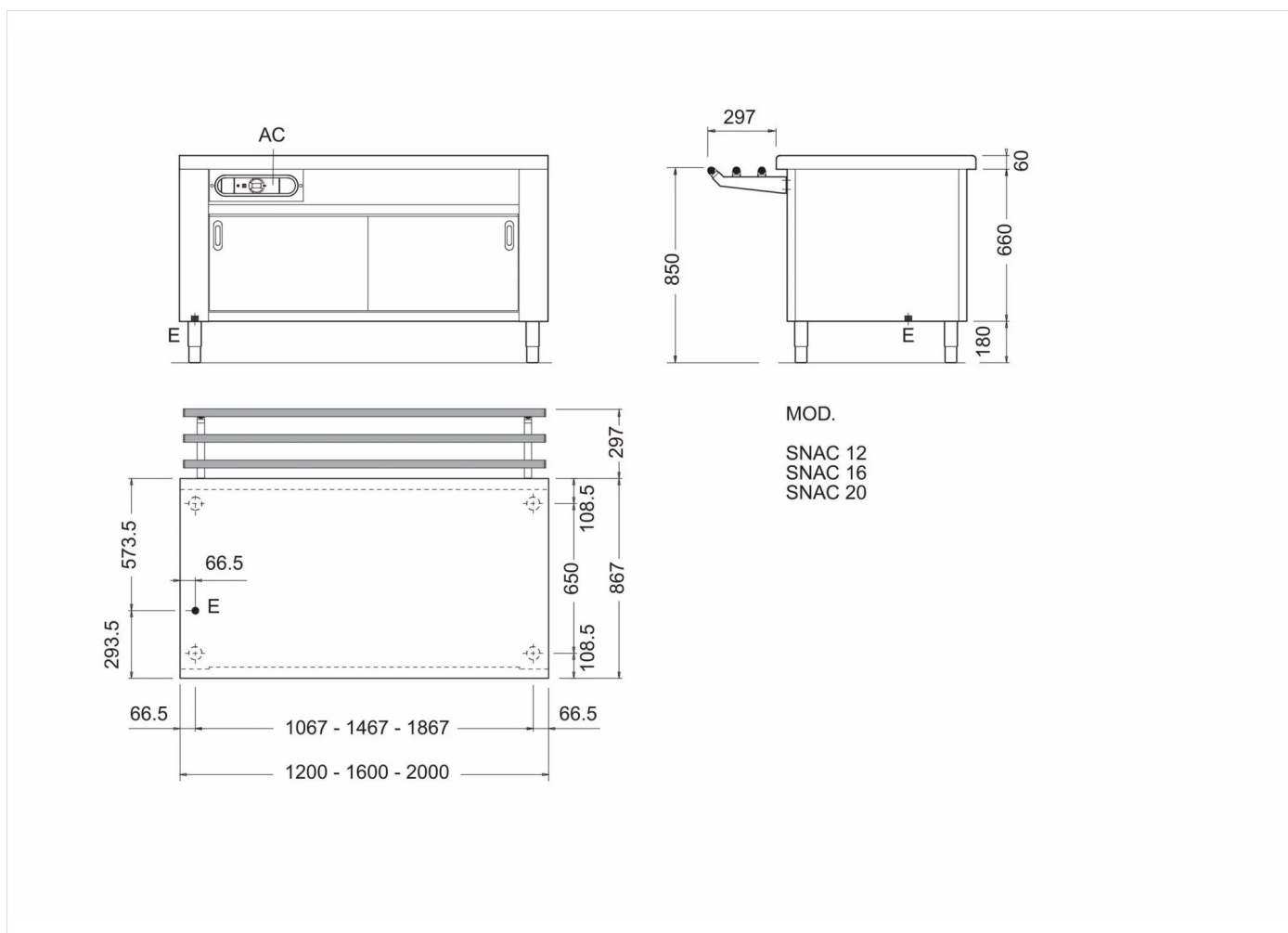
Hot cupboard section on ventilated heated cupboard with sliding doors, easy removable for cleaning. Adjustable thermostatic control from 30°C to 90°C, switch, warning light and security thermostat. Completely made of s/s AISI 304.



RANGE	CODE	MODEL	FUNCTION
Self Service Free-Flow 867	MA91810000	SNAC12	Base units

ITEM

Neutral unit on fan assisted heated cupboard 1200 mm wide



INSTALLATION SPECIFICATIONS

(E) Electrical Connection: VAC230 50Hz

