

RANGE	CODE	MODEL	FUNCTION
MI - 70	MAMCOOO2000	FT78ELT#	Griddles - Mild Steel Plate

ITEM

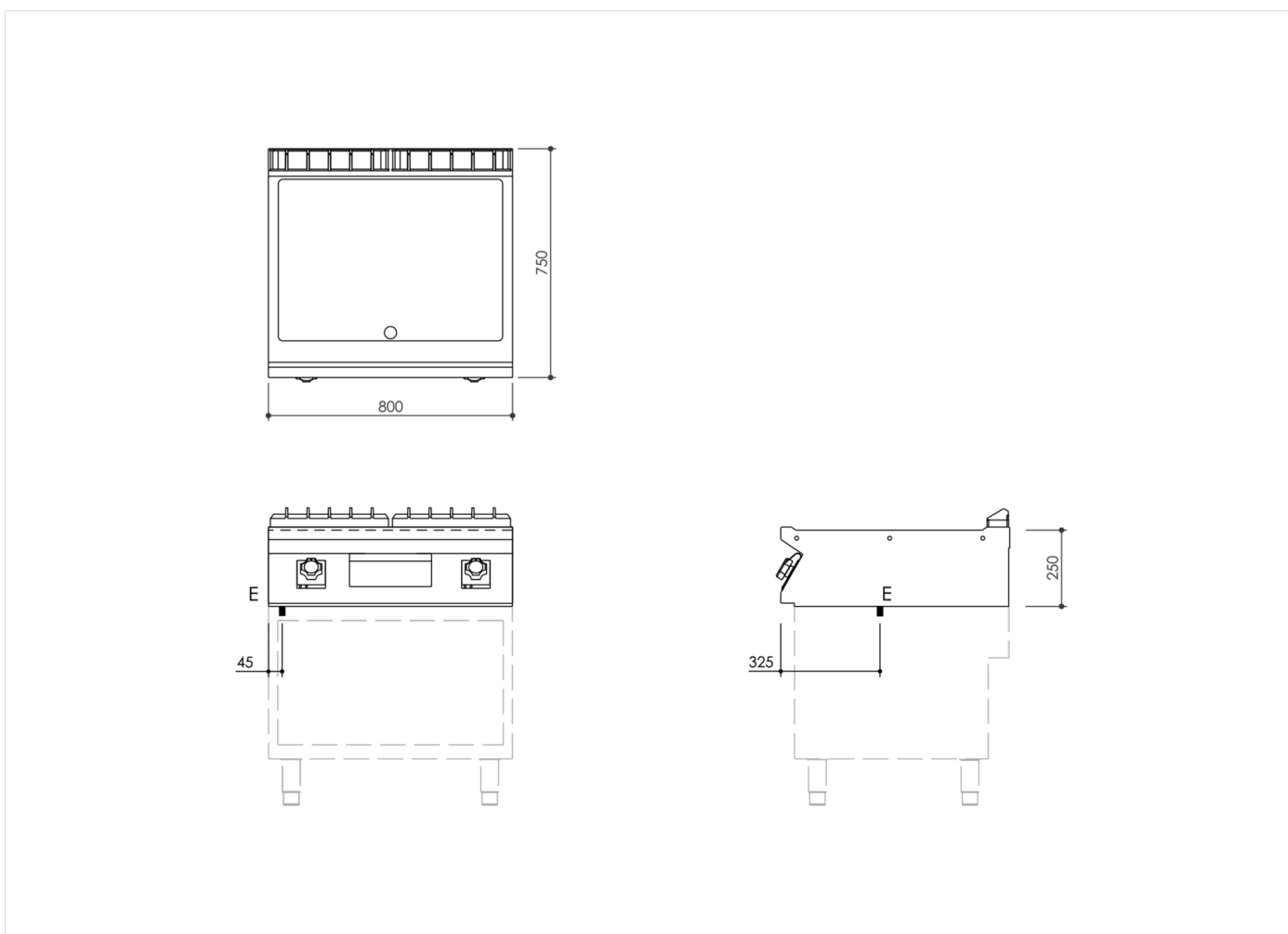
Electric griddle top with smooth plate



RANGE	CODE	MODEL	FUNCTION
MI - 70	MAMCOOO2000	FT78ELT#	Griddles - Mild Steel Plate

ITEM

Electric griddle top with smooth plate



INSTALLATION SPECIFICATIONS

(E) Electrical Connection: **VAC400-3N 50/60 Hz**

