

RANGE

**Self Service Free-Flow 867**

CODE

**MA91816000**

MODEL

**SVCG16**

FUNCTION

**Heated Base Units**

ITEM

**4 GNI/l container bain-marie on open unit**



RANGE

**Self Service Free-Flow 867**

CODE

**MA91816000**

MODEL

**SVCG16**

FUNCTION

**Heated Base Units**

ITEM

**4 GNI/l container bain-marie on open unit**



**TECHNICAL SPECIFICATIONS**

WIDTH (mm):	<b>1600</b>
DEPTH (mm):	<b>867</b>
HEIGHT (mm):	<b>900</b>
WEIGHT (Kg):	<b>128</b>
VOLUME (m <sup>3</sup> ):	<b>1.62</b>
EL. POWER (kW):	<b>2.8</b>
VOLTAGE:	<b>VAC400 3N</b>

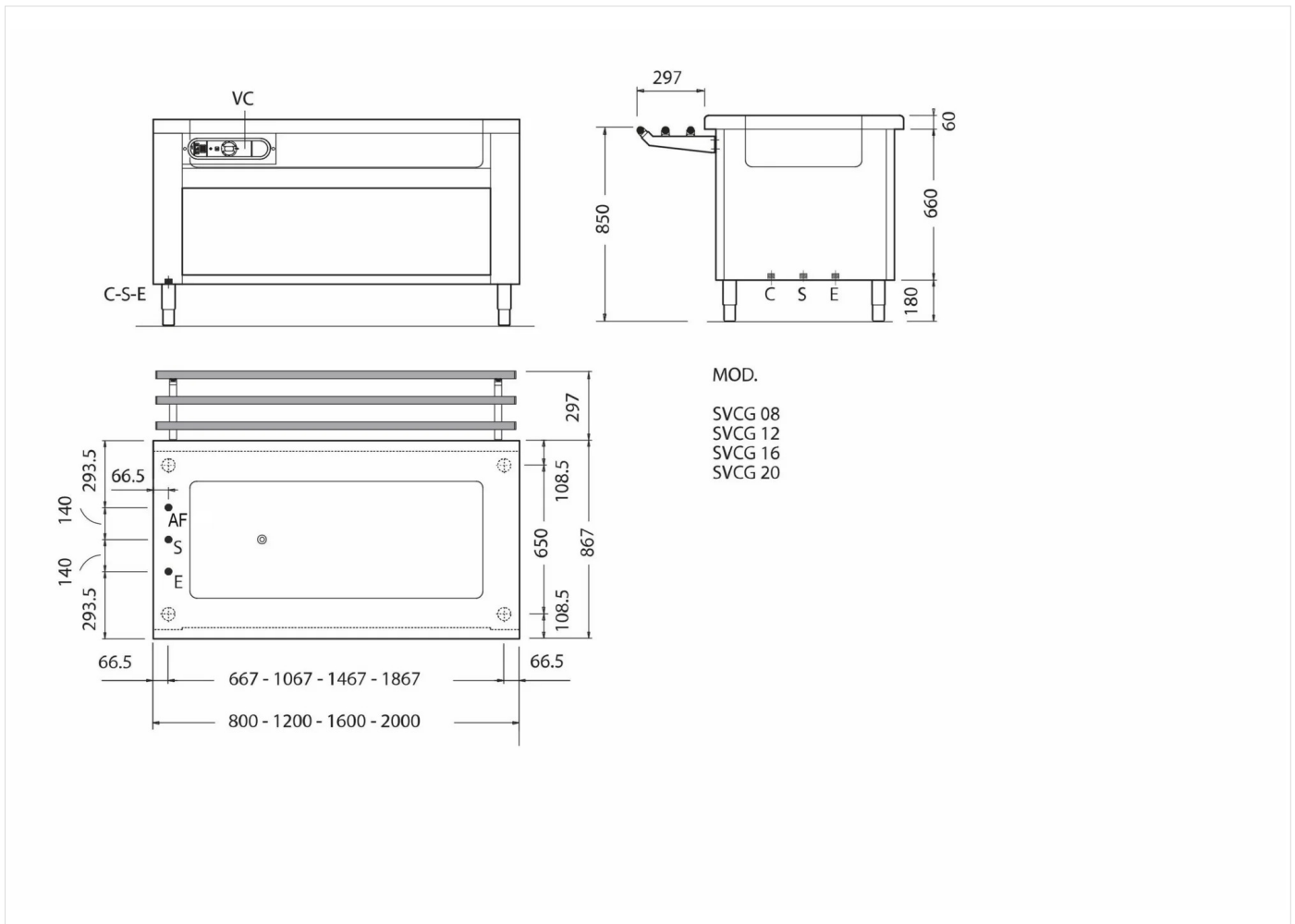
**DESCRIPTION**

Electric heated bain-marie on open ambient cupboard, capacity 4 GN I/I H=200 mm containers, exterior finishing, sliding doors, top and well in AISI 304 s/s. Adjustable thermostatic control from 30°C to 90°C, switch and warning light. Top thickness: 1,5 mm. S/s feet. Frontal panelling included.



RANGE	CODE	MODEL	FUNCTION
Self Service Free-Flow 867	MA91816000	SVCG16	Heated Base Units

ITEM  
4 GNI/I container bain-marie on open unit



## INSTALLATION SPECIFICATIONS

(E) Electrical Connection:	VAC400 3N 50Hz
(AF) Cold Water Inlet:	Ø3/4-Arrivo a pavimento

