

RANGE

**Self Service Free-Flow 867**

CODE

**CRO954920**

MODEL

**SVVCG16**

FUNCTION

**Heated Base Units**

ITEM

**4 GNI/l container fan assisted heated tank on open unit**



RANGE

**Self Service Free-Flow 867**

CODE

**CRO954920**

MODEL

**SVVCG16**

FUNCTION

**Heated Base Units**

ITEM

**4 GNI/l container fan assisted heated tank on open unit**



**TECHNICAL SPECIFICATIONS**

WIDTH (mm):	<b>1600</b>
DEPTH (mm):	<b>867</b>
HEIGHT (mm):	<b>900</b>
WEIGHT (Kg):	<b>122</b>
VOLUME (m <sup>3</sup> ):	<b>1.62</b>
EL. POWER (kW):	<b>3</b>
VOLTAGE:	<b>VAC400 3N</b>

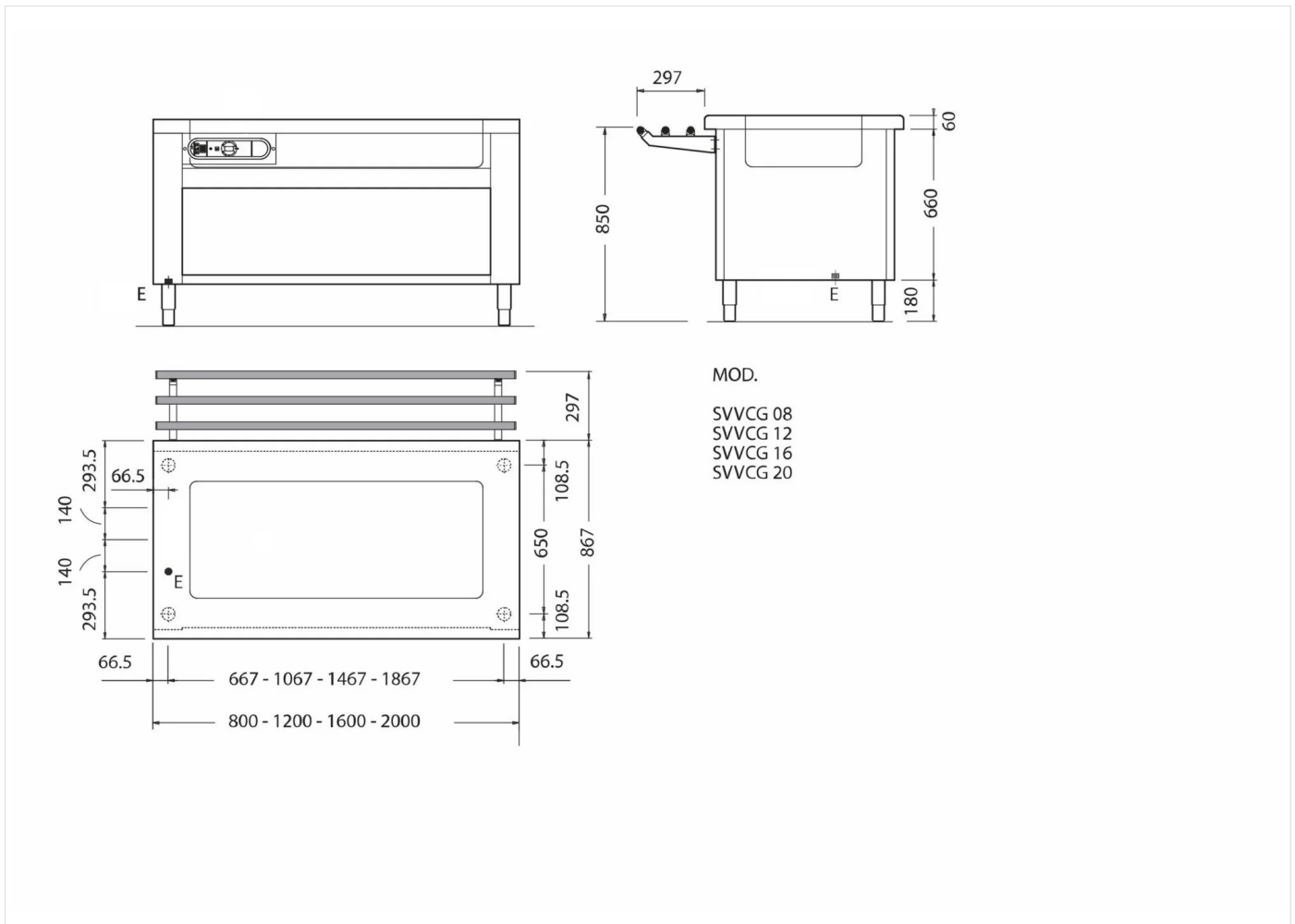
**DESCRIPTION**

Electrical, ventilated hot element, tank capacity 4 GN l/l containers H=200 mm on open compartment. Internal compartment with radiused corners for easy cleaning. Heated by coils combined with cross-flow fans located under the well. Electromechanical thermostat adjustable from 30° to 90°C, main switch, warning light, safety thermostat. Worktop with rounded edges H=6mm. , 15/10 thick. Stainless steel leveling feet. Supplied with front panels.



RANGE	CODE	MODEL	FUNCTION
Self Service Free-Flow 867	CRO954920	SVVCG16	Heated Base Units

ITEM  
4 GNI/I container fan assisted heated tank on open unit



## INSTALLATION SPECIFICATIONS

(E) Electrical Connection: VAC400 3N 50Hz

