

RANGE

Self Service Free-Flow 867

CODE

MA91819000

MODEL

SVAC16

FUNCTION

Heated Base Units

ITEM

4 GN I/I container bain-marie on fan assisted heated cupboard



RANGE

Self Service Free-Flow 867

CODE

MA91819000

MODEL

SVAC16

FUNCTION

Heated Base Units

ITEM

4 GN I/I container bain-marie on fan assisted heated cupboard



TECHNICAL SPECIFICATIONS

WIDTH (mm):	1600
DEPTH (mm):	867
HEIGHT (mm):	900
WEIGHT (Kg):	138
VOLUME (m ³):	1.62
EL. POWER (kW):	5.3
VOLTAGE:	VAC400 3N

DESCRIPTION

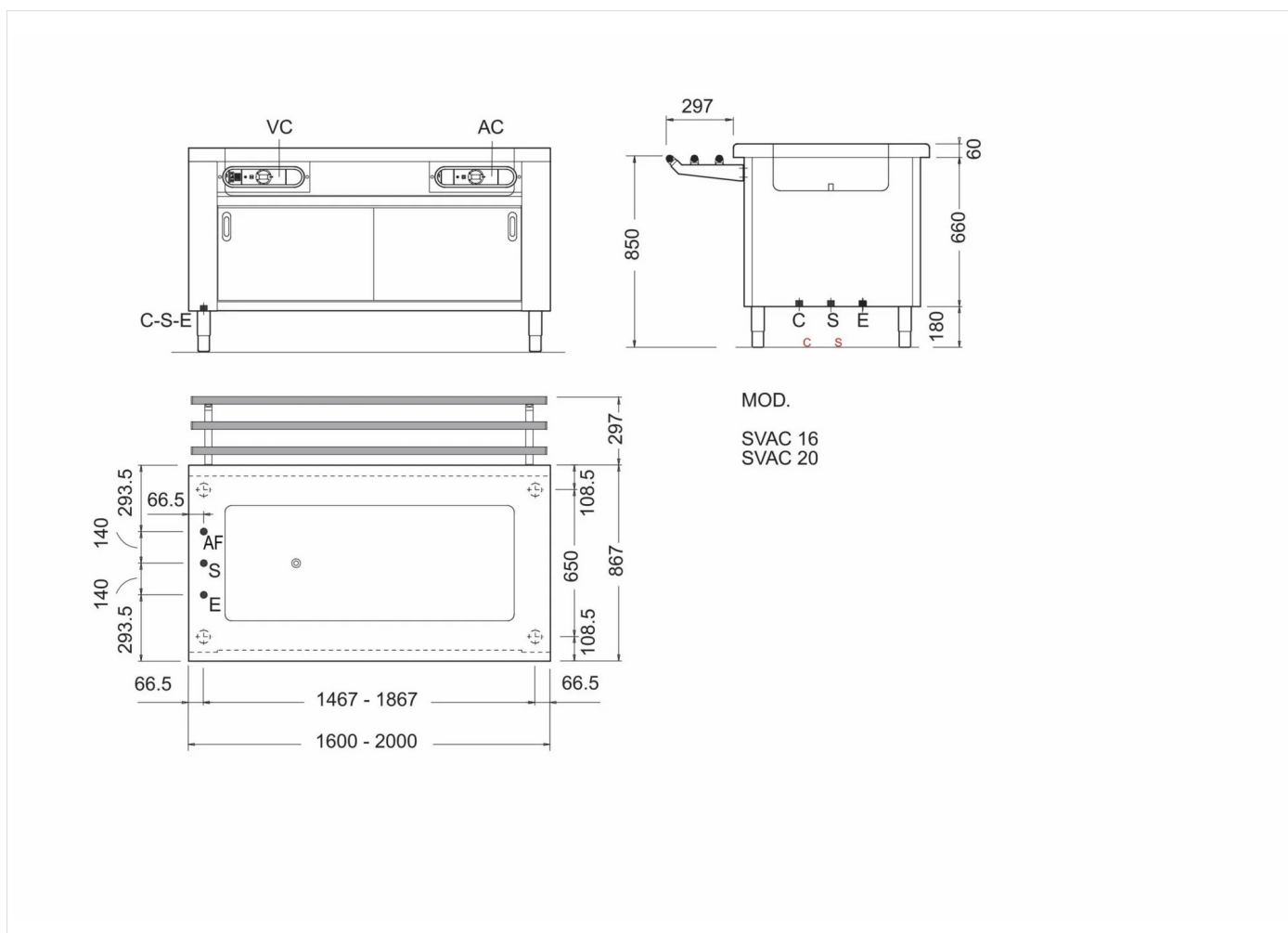
Electric heated bain-marie on hot cupboard, capacity 4 GN I/I, H=200 mm containers, exterior finishing, sliding doors, top and well in AISI 304 s/s. Adjustable thermostatic control from 30°C to 90°C, switch and warning light. Top thickness: 1,5 mm. S/s feet. Frontal panelling included.



RANGE	CODE	MODEL	FUNCTION
Self Service Free-Flow 867	MA91819000	SVAC16	Heated Base Units

ITEM

4 GN I/I container bain-marie on fan assisted heated cupboard



INSTALLATION SPECIFICATIONS

(E) Electrical Connection:	VAC400 3N 50-60 Hz
(AF) Cold Water Inlet:	Ø3/4-Arrivo a pavimento

