

RANGE

**Self Service Free-Flow 867**

CODE

**MA91890000**

MODEL

**SPCG12**

FUNCTION

**Heated Base Units**

ITEM

**3 GN I/I zone heated glass top on open unit**



RANGE

**Self Service Free-Flow 867**

CODE

**MA91890000**

MODEL

**SPCG12**

FUNCTION

**Heated Base Units**

ITEM

**3 GN I/I zone heated glass top on open unit**



#### TECHNICAL SPECIFICATIONS

WIDTH (mm):	<b>1200</b>
DEPTH (mm):	<b>867</b>
HEIGHT (mm):	<b>900</b>
WEIGHT (Kg):	<b>86</b>
VOLUME (m <sup>3</sup> ):	<b>1.22</b>
EL. POWER (kW):	<b>0.75</b>
VOLTAGE:	<b>VAC230</b>

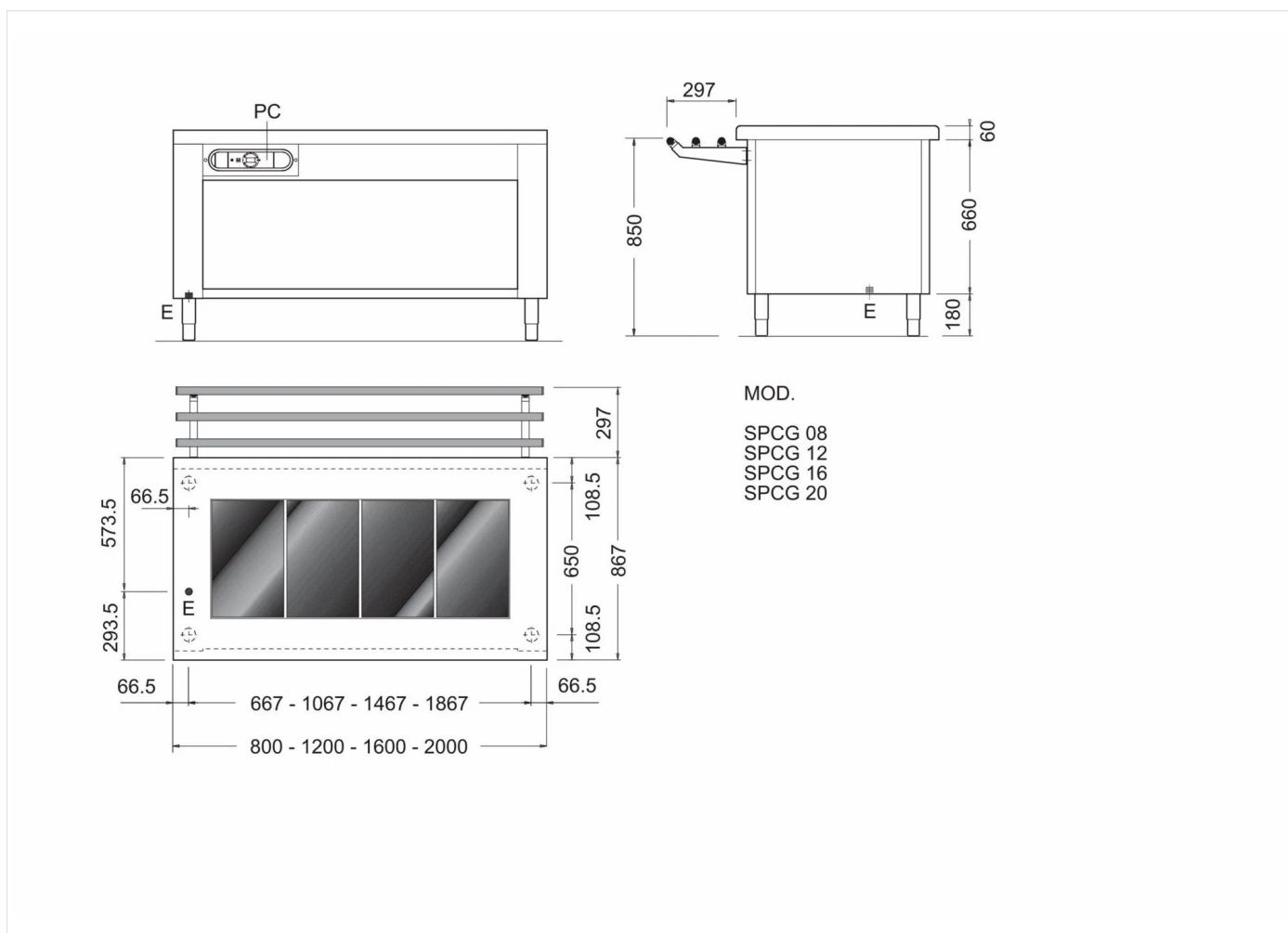
#### DESCRIPTION

Glass heating unit on open cupboard, capacity 3 GN I/I, tempered glass heated top 0,75 kW, top dim. 960x510. Rounded internal edges for ease of cleaning. Power regulation of top temperature with 6 different levels +40+100 °C. Rounded internal edges for ease of cleaning. Worktop with rounded edges H=60 mm. thickness 15/10. S/s. adjustable feet. Front panel included.



RANGE	CODE	MODEL	FUNCTION
Self Service Free-Flow 867	MA9I89O000	SPCG12	Heated Base Units

ITEM  
3 GN I/I zone heated glass top on open unit



## INSTALLATION SPECIFICATIONS

(E) Electrical Connection: VAC230 50Hz

