

RANGE

**Self Service Free-Flow 867**

CODE

**MA91893000**

MODEL

**SPACI2**

FUNCTION

**Heated Base Units**

ITEM

**3 GN I/I zone heated glass top on fan assisted heated cupboard**



RANGE

**Self Service Free-Flow 867**

CODE

**MA91893000**

MODEL

**SPAC12**

FUNCTION

**Heated Base Units**

ITEM

**3 GN I/I zone heated glass top on fan assisted heated cupboard**



#### TECHNICAL SPECIFICATIONS

WIDTH (mm):	<b>1200</b>
DEPTH (mm):	<b>867</b>
HEIGHT (mm):	<b>900</b>
WEIGHT (Kg):	<b>97</b>
VOLUME (m <sup>3</sup> ):	<b>1.22</b>
EL. POWER (kW):	<b>3.25</b>
VOLTAGE:	<b>VAC400 3N</b>

#### DESCRIPTION

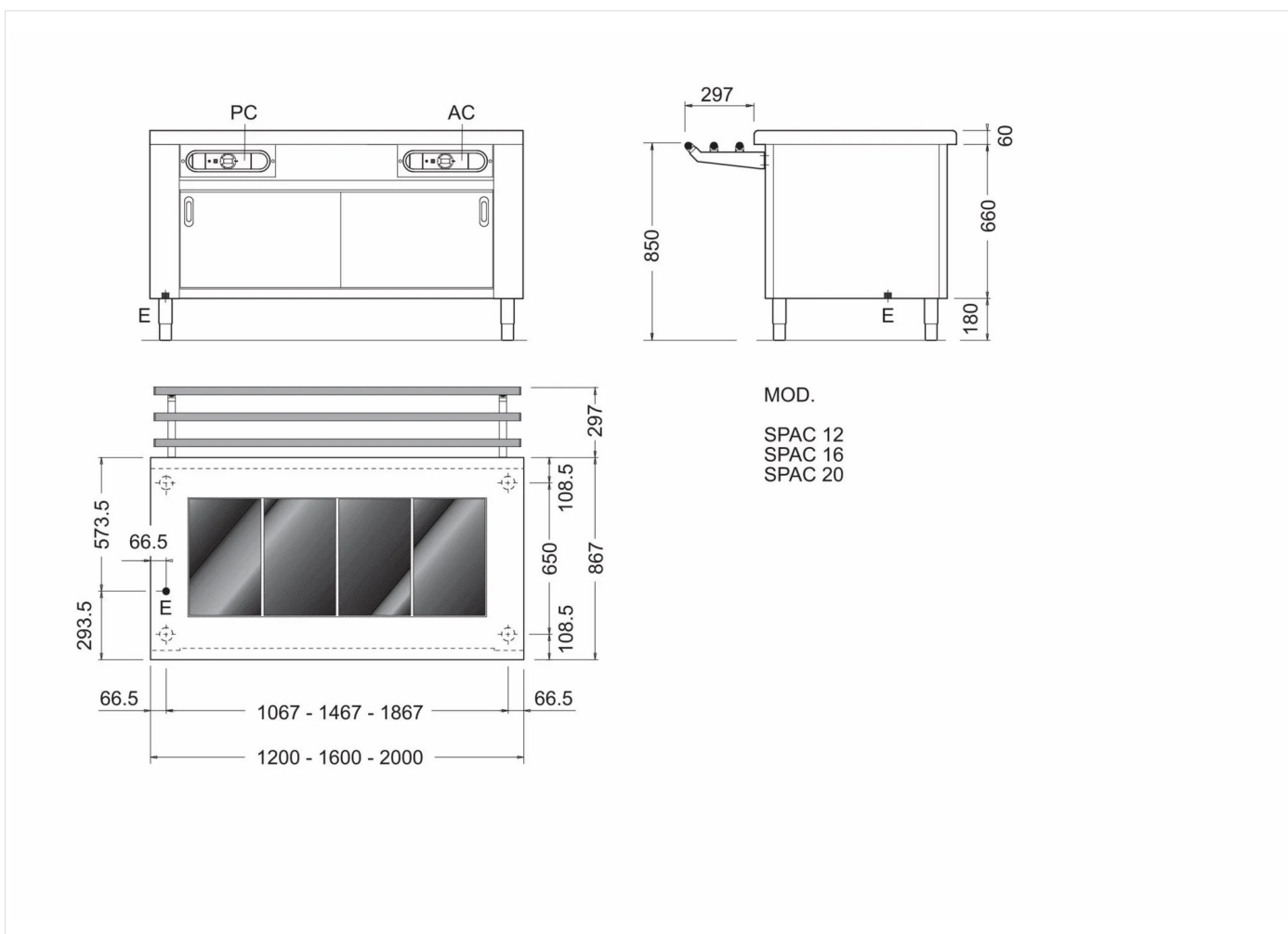
Glass heating unit on heated cupboard, capacity 3 GN I/I containers. Tempered glass heated top 0,75 kW, top dim. 960x510. Heated cupboard with sliding doors. Rounded internal edges for ease of cleaning. Power regulation of top temperature with 6 different levels +40+100 °C. Ventilated heating system with reinforced heating elements. Cupboard temperature range till 800°C by setting thermostat. Worktop with rounded edges H=60 mm. thickness 15/10. S/s. adjustable feet. Front panel included.



RANGE	CODE	MODEL	FUNCTION
Self Service Free-Flow 867	MA91893000	SPAC12	Heated Base Units

ITEM

3 GN I/I zone heated glass top on fan assisted heated cupboard



**INSTALLATION SPECIFICATIONS**

(E) Electrical Connection: VAC400 3N 50Hz

