

RANGE

Self Service Free-Flow 867

CODE

MA91823010

MODEL

SPRG16

FUNCTION

Refrigerated units

ITEM

4 GN I/I container refrigerated top on open unit



RANGE

Self Service Free-Flow 867

CODE

MA9I823OIO

MODEL

SPRG16

FUNCTION

Refrigerated units

ITEM

4 GN I/I container refrigerated top on open unit



TECHNICAL SPECIFICATIONS

WIDTH (mm):	1600
DEPTH (mm):	867
HEIGHT (mm):	900
WEIGHT (Kg):	138
VOLUME (m ³):	1.62
EL. POWER (kW):	0.3
VOLTAGE:	VAC230
GAS TYPE:	R455a

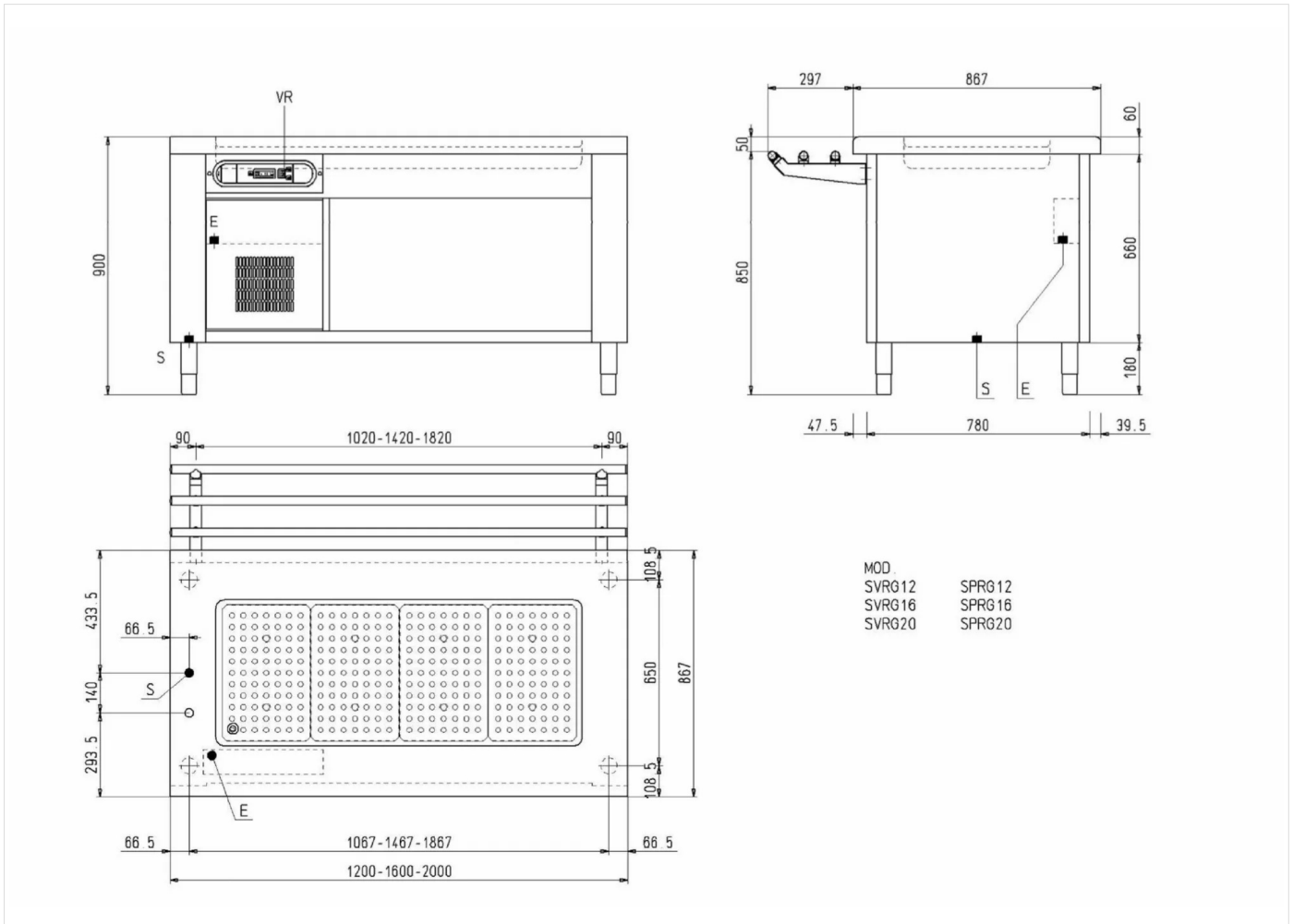
DESCRIPTION

Refrigerated top (depth 40 mm) on open cupboard, capacity 4 GN I/I h=25 mm. containers, exterior finishing, top and feet in AISI 304 s/s. Heat insulation executed in high density polyurethane. Adjustable electronic thermostatic control, 1 each floor and 1 each cell, from 0°C to +8°C. Air condensing device. Thermometer, switch and warning light. Rounded work top 60 mm. , thickness 15/10. S/s feet. Frontal panelling included.



RANGE	CODE	MODEL	FUNCTION
Self Service Free-Flow 867	MA9I823OIO	SPRG16	Refrigerated units

ITEM
4 GN I/I container refrigerated top on open unit



INSTALLATION SPECIFICATIONS

(E) Electrical Connection: **VAC230 50Hz**

