

RANGE

Self Service Free-Flow 867

CODE

MA91830010

MODEL

SPAR16

FUNCTION

Refrigerated units

ITEM

4 GN I/I container refrigerated top on fan assisted refrigerated GN cupboard



RANGE

Self Service Free-Flow 867

CODE

MA918300IO

MODEL

SPARI6

FUNCTION

Refrigerated units

ITEM

4 GN I/I container refrigerated top on fan assisted refrigerated GN cupboard



TECHNICAL SPECIFICATIONS

WIDTH (mm):	1600
DEPTH (mm):	867
HEIGHT (mm):	900
WEIGHT (Kg):	182
VOLUME (m ³):	1.62
EL. POWER (kW):	0.57
VOLTAGE:	VAC230
GAS TYPE:	R455a

DESCRIPTION

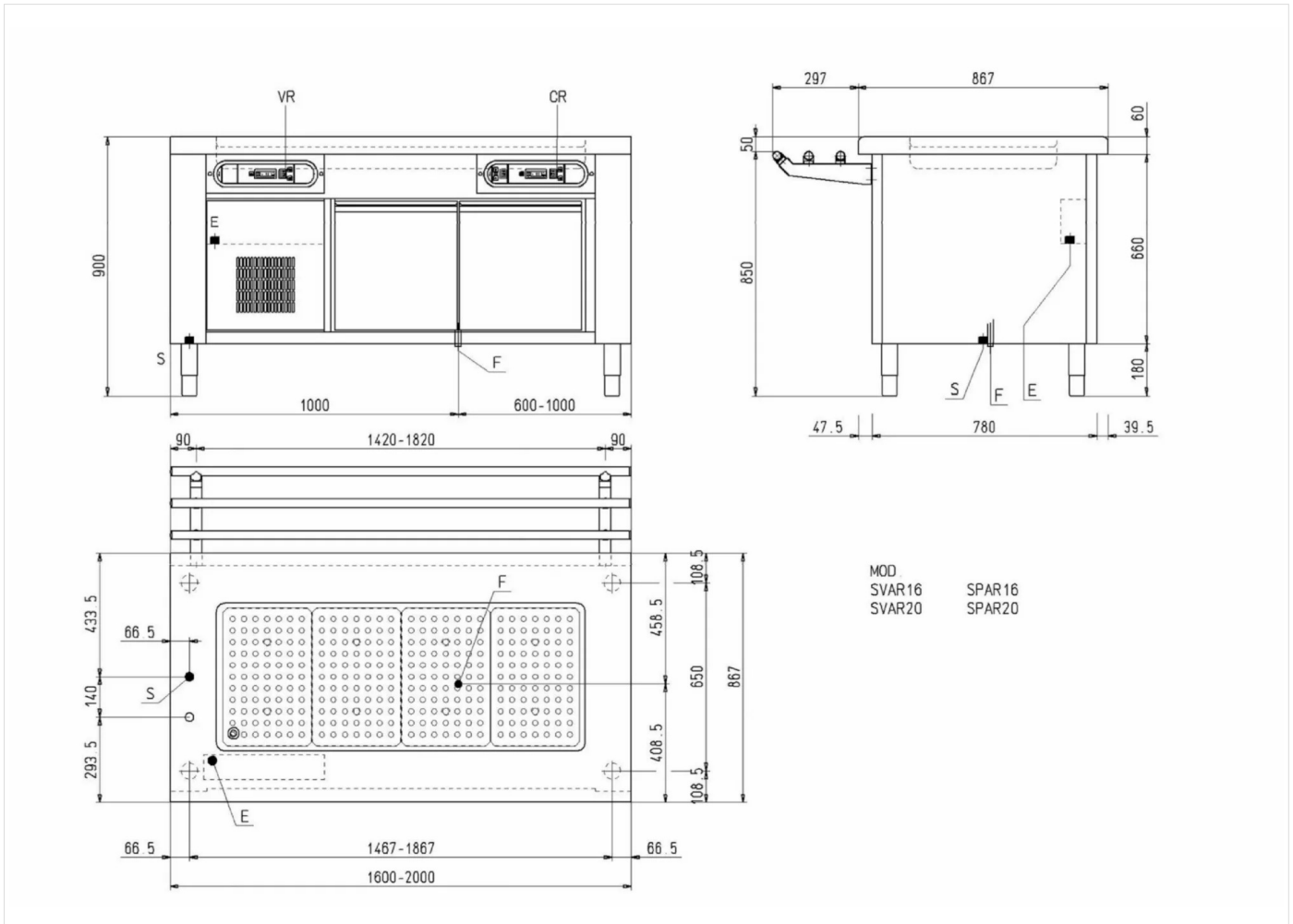
Refrigerated top on refrigerated cupboard depth 40 mm, to accommodate 4 GN I/I h=25 mm. containers, exterior finishing, top and feet in AISI 304 s/s. Ventilated refrigerated cupboard w/2 compartments GN I/I w/grids-holders, humidity control and automatic defrosting control. Heat insulation executed in high density polyurethane. Adjustable electronic thermostatic control, 1 each floor and 1 each cell, from 0°C to 8°C. Air condensing device. Thermometer, switch and warning light. Rounded work top 60 mm. , thickness 15/10. S/s feet. Frontal panelling included.



RANGE	CODE	MODEL	FUNCTION
Self Service Free-Flow 867	MA918300IO	SPAR16	Refrigerated units

ITEM

4 GN I/I container refrigerated top on fan assisted refrigerated GN cupboard



INSTALLATION SPECIFICATIONS

(E) Electrical Connection: VAC230 50Hz

