

RANGE

Self Service Free-Flow 867

CODE

MA9I827OIO

MODEL

SVRG16

FUNCTION

Refrigerated units

ITEM

4 GN I/I refrigerated tank on open unit



TECHNICAL SPECIFICATIONS

WIDTH (mm):	1600
DEPTH (mm):	867
HEIGHT (mm):	900
WEIGHT (Kg):	148
VOLUME (m ³):	1.62
EL. POWER (kW):	0.3
VOLTAGE:	VAC230
GAS TYPE:	R455a

DESCRIPTION

Refrigerated section with well (depth 110 mm) on open cupboard, capacity 4 GN I/I H=100 mm. containers, exterior finishing, top and feet in AISI 304 s/s. Heat insulation executed in high density polyurethane. Adjustable electronic thermostatic control, 1 each floor and 1 each cell, from 0°C to 8°C. Air condensing device. Thermometer, switch and warning light. Rounded work top 60 mm. , thickness 15/10. S/s feet. Frontal panelling included.



RANGE

Self Service Free-Flow 867

CODE

MA9I827OIO

MODEL

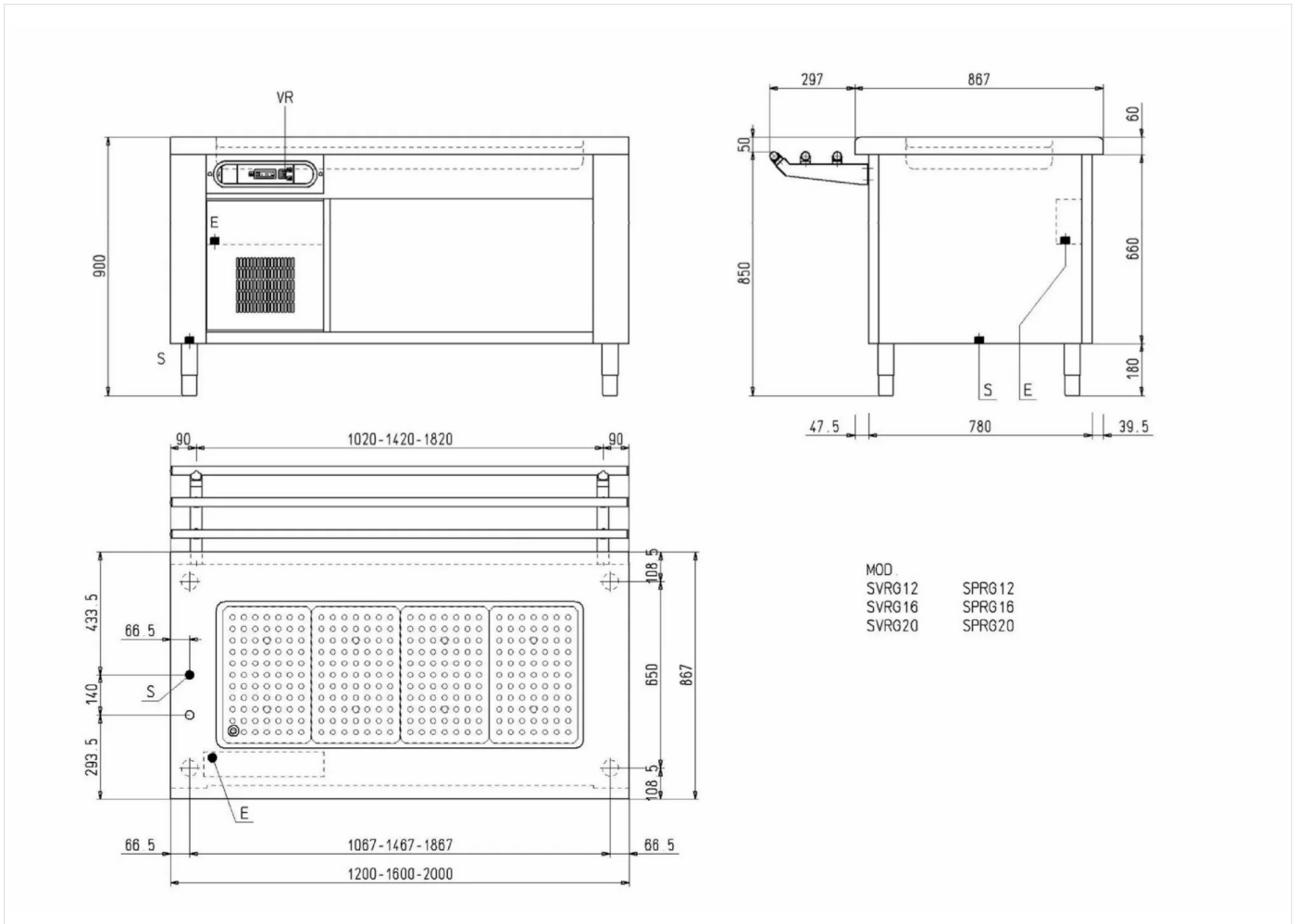
SVRG16

FUNCTION

Refrigerated units

ITEM

4 GN I/I refrigerated tank on open unit



INSTALLATION SPECIFICATIONS

(E) Electrical Connection:

VAC230 50Hz

