

RANGE	CODE	MODEL	FUNCTION
Self Service Free-Flow 867	MA91821000	SPERG16	Refrigerated display units on cabinet

ITEM  
4 GN I/I container refrigerated top and display on open unit



RANGE	CODE	MODEL	FUNCTION
Self Service Free-Flow 867	MA91821000	SPERG16	Refrigerated display units on cabinet

ITEM  
4 GN I/I container refrigerated top and display on open unit



#### TECHNICAL SPECIFICATIONS

WIDTH (mm):	1600
DEPTH (mm):	867
HEIGHT (mm):	1700
WEIGHT (Kg):	183
VOLUME (m <sup>3</sup> ):	3.07
EL. POWER (kW):	1.1
VOLTAGE:	VAC230
GAS TYPE:	R455a

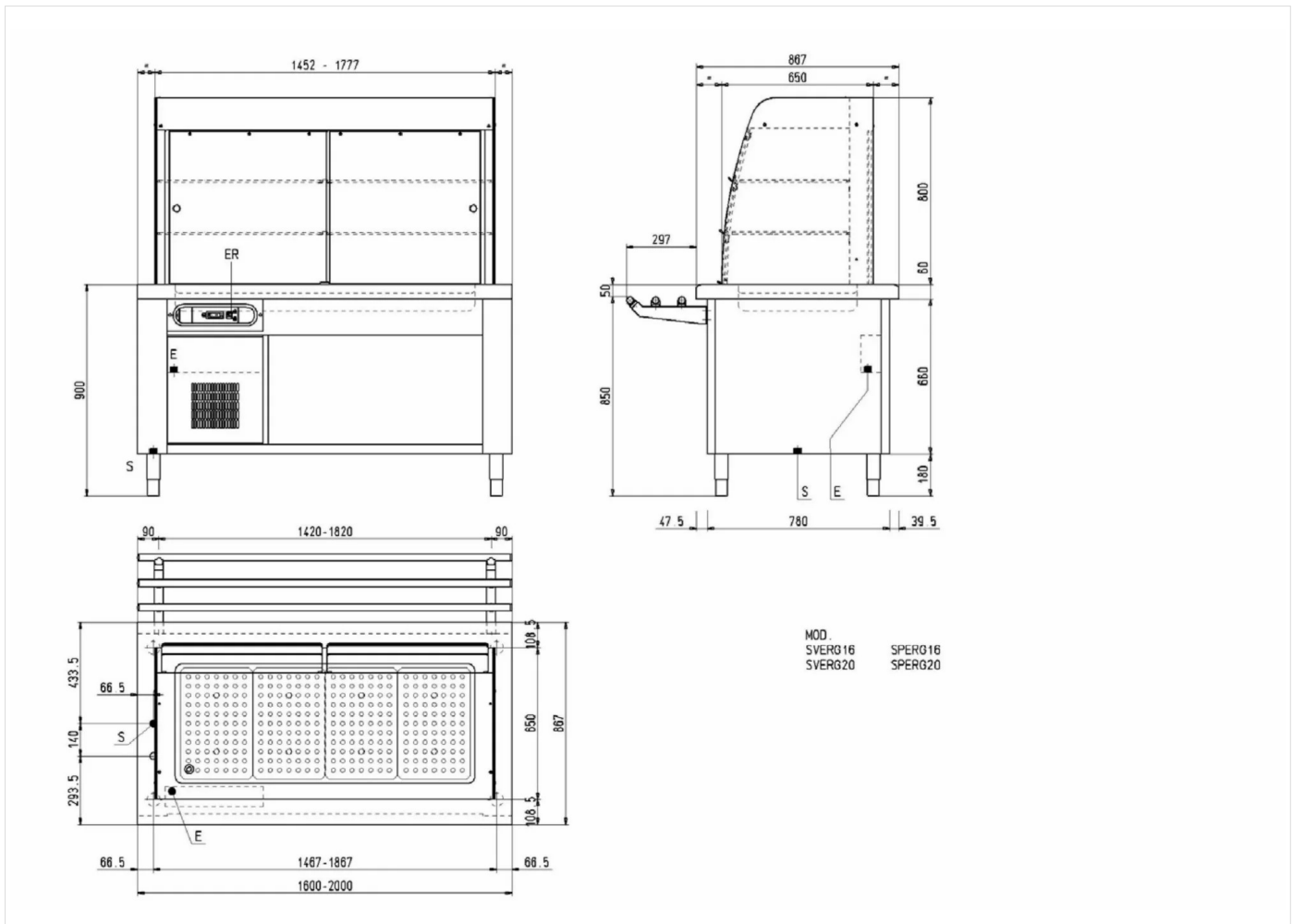
#### DESCRIPTION

Display unit with refrigerated top, depth 40 mm. capacity 4 GN I/I containers H=25 mm. Exchangers and ventilation in the upper part to facilitate air circulation. Sliding glass doors on operator side, Plexiglas swing hatched on customer side. Stainless steel grille shelves, easily removed for cleaning, can be positioned at two different heights. Led lighting. Temperature range: +4 / +15°C, temperature adjusted using a digital electronic thermostat. Base bridge unit AISI 304 stainless steel structure. Top with square edges, 15/10 thick, height 60 mm. Stainless steel leveling feet. Supplied with front panels.



RANGE	CODE	MODEL	FUNCTION
Self Service Free-Flow 867	MA91821000	SPERG16	Refrigerated display units on cabinet

ITEM  
4 GN I/I container refrigerated top and display on open unit



## INSTALLATION SPECIFICATIONS

(E) Electrical Connection: VAC230 50Hz

