

RANGE	CODE	MODEL	FUNCTION
MI - 70	MAMCOOO2770	GR78ET	Grills

ITEM

Electric chargrill 800 mm width top



TECHNICAL SPECIFICATIONS

WIDTH (mm):	800
DEPTH (mm):	750
HEIGHT (mm):	250
WEIGHT (Kg):	48
VOLUME (m ³):	0.4
EL. POWER (kW):	7.6
VOLTAGE:	VAC400-3N
COOKING ZONES N°:	2
COOKING ZONES DIM. (mm):	545x430 mm
COOKING ZONE DETAILS:	2x 3,8 kW
IP GRADE:	IPX5

DESCRIPTION

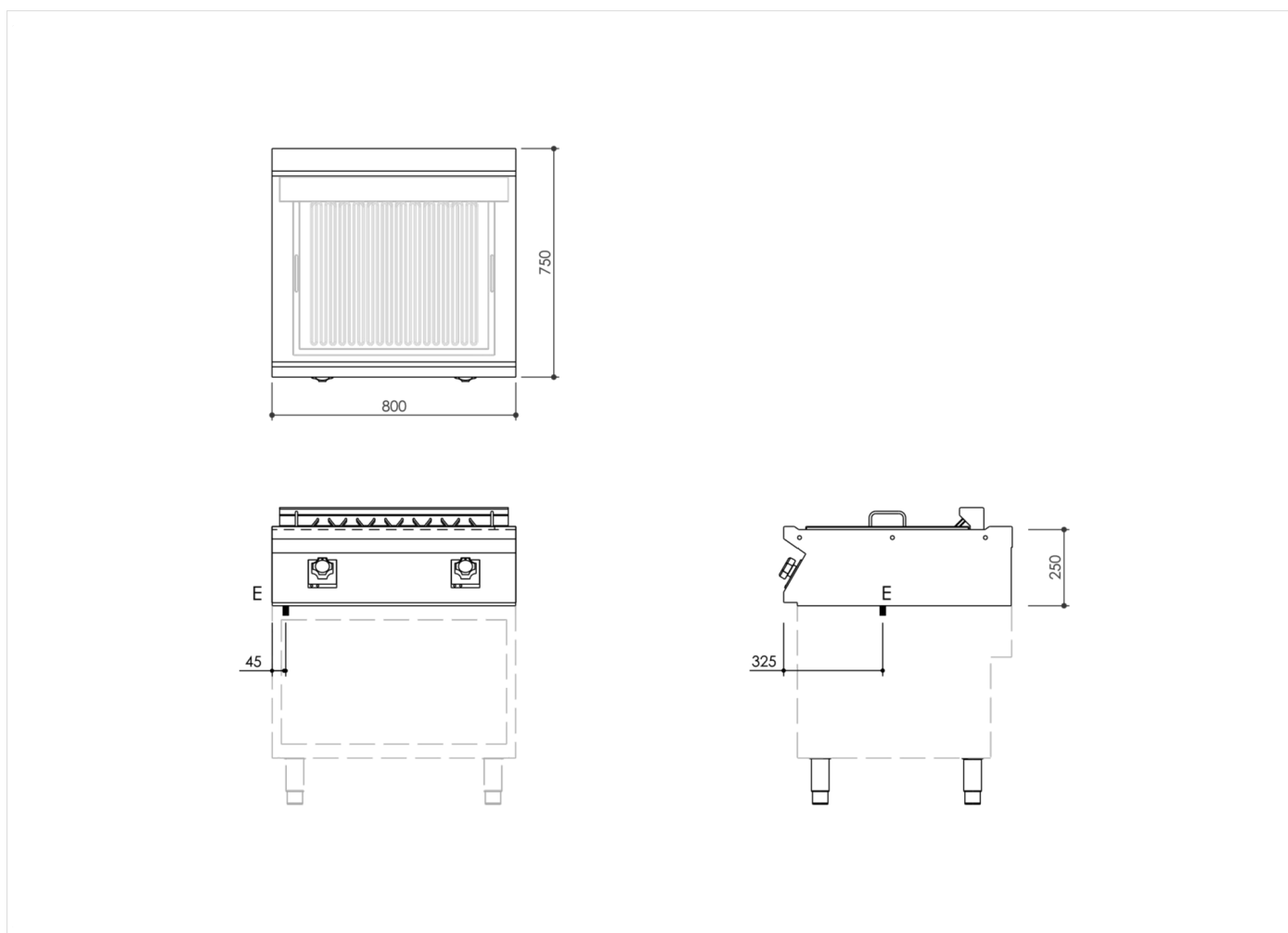
Electric grill top, in AISI 304 stainless steel. 20/10 pressed steel top with anti-spill front edge, designed for flush alignment with hermetic seal supplied. Top designed to accommodate water column accessory. Direct cooking by contact with armoured heating elements. Underlying water container to impart the correct moisture level to meat and collect cooking fat. Energy regulator to control heating shaped to prevent water infiltration, equipped with integral indicator lights for instant recognition of heating and correct operation of the appliance. Heat control with energy regulator with 5 cooking settings plus "Clean" setting to clean the cooking surface. Safety thermostat with manual reset: trips in overtemperature conditions. IPX5 water-resistant rating.



RANGE	CODE	MODEL	FUNCTION
MI - 70	MAMCOOO2770	GR78ET	Grills

ITEM

Electric chargrill 800 mm width top



INSTALLATION SPECIFICATIONS

(E) Electrical Connection: **VAC400-3N 50/60Hz**

