

RANGE	CODE	MODEL	FUNCTION
MI - 70	MAMCOOO2840	GL78GIG	Grills

ITEM

Gas charcoal grill 800 mm width top with lava rocks and stainless steel grid on open stand



RANGE	CODE	MODEL	FUNCTION
MI - 70	MAMCOOO2840	GL78GIG	Grills

ITEM

Gas charcoal grill 800 mm width top with lava rocks and stainless steel grid on open stand



TECHNICAL SPECIFICATIONS

WIDTH (mm):	800
DEPTH (mm):	750
HEIGHT (mm):	900
WEIGHT (Kg):	68
VOLUME (m ³):	0.8
GAS POWER (kW):	20
INTERNAL BASE UNIT DIM. (mm):	760x400(h)x700 mm
COOKING ZONES N°:	2
COOKING ZONES DIM. (mm):	780x485 mm
COOKING ZONE DETAILS:	2x 10 kW

DESCRIPTION

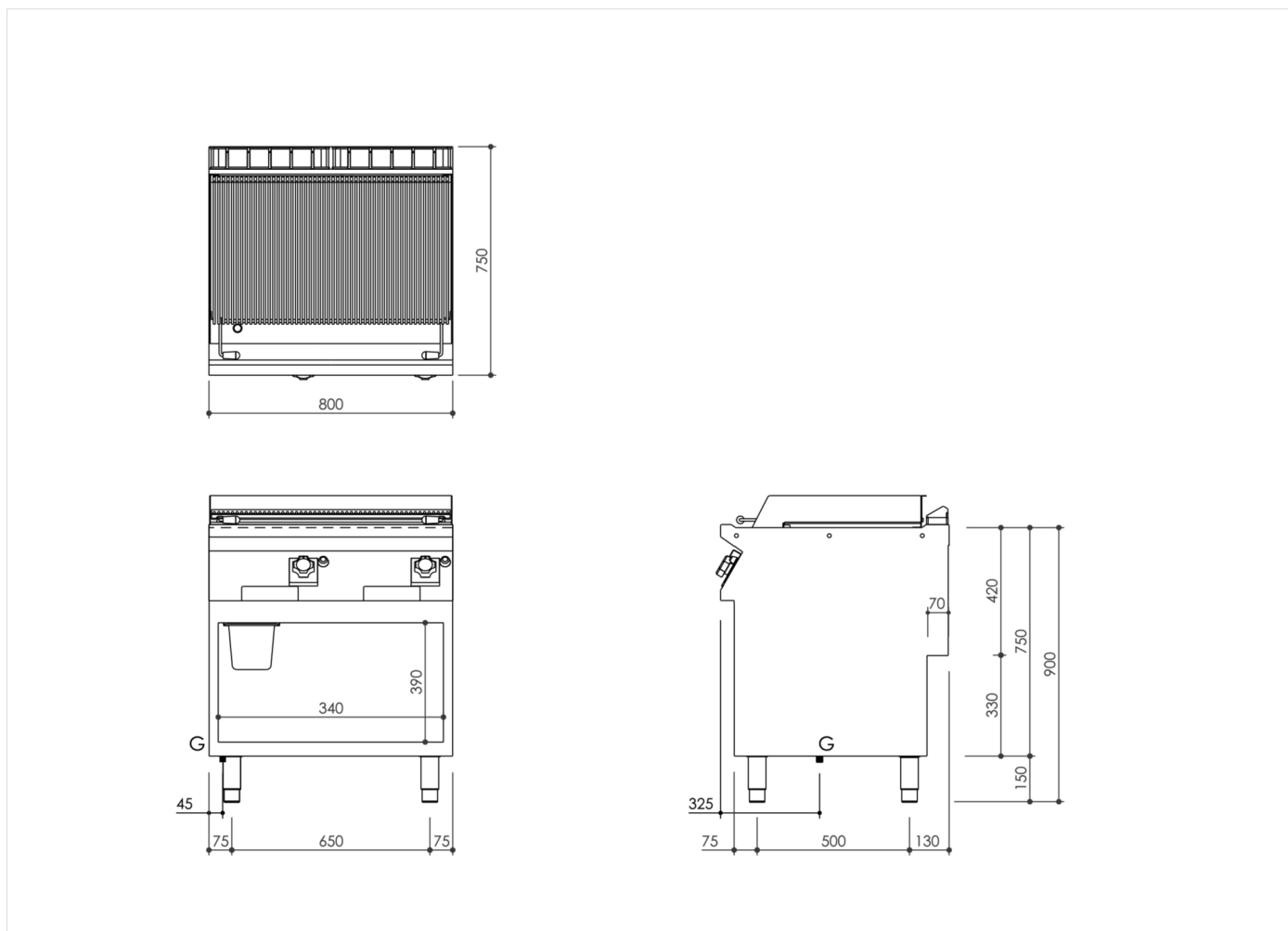
Freestanding gas charcoal grill on open cabinet base, in AISI 304 stainless steel. 20/10 pressed steel top with anti-spill front edge, designed for flush alignment with hermetic seal supplied. Top designed to accommodate water column accessory. The cooking grill has two height settings to ensure optimum grilling. The grill is equipped with a removable grease collection tray for easy cleaning. Heated by stabilised flame steel burners with pilot burner and safety thermocouple. Heating control knob shaped to prevent water infiltration. Heating controlled by valve gas tap with safety thermocouple. Steel grid supplied. Appliance equipped with stainless steel adjustable feet. The model includes 3 bags of lava stone as standard.



RANGE	CODE	MODEL	FUNCTION
MI - 70	MAMCOOO2840	GL78GIG	Grills

ITEM

Gas charcoal grill 800 mm width top with lava rocks and stainless steel grid on open stand



INSTALLATION SPECIFICATIONS

(G) Gas Inlet: $\text{Ø}1/2''$

