

RANGE	CODE	MODEL	FUNCTION
MI - 70	MAMCOOOO560	FR74GIOA	Fryers

ITEM

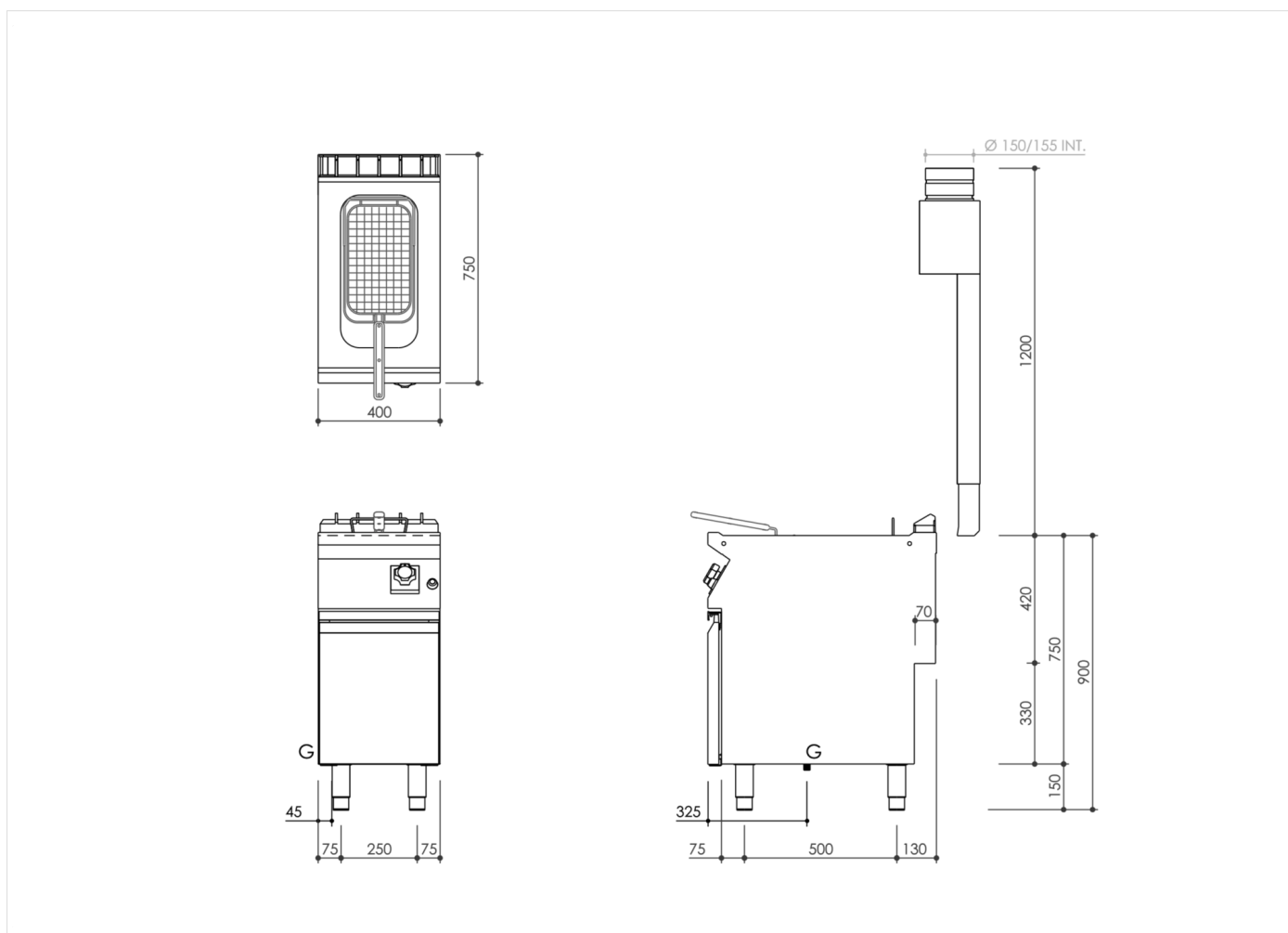
Single pan gas fryer 10 litres



RANGE	CODE	MODEL	FUNCTION
MI - 70	MAMCOOOO560	FR74GIOA	Fryers

ITEM

Single pan gas fryer 10 litres



INSTALLATION SPECIFICATIONS

(G) Gas Inlet: $\text{Ø}1/2''$

