

RANGE	CODE	MODEL	FUNCTION
MI - 70	MAMCOOOO570	FR76GIOA	Fryers

ITEM

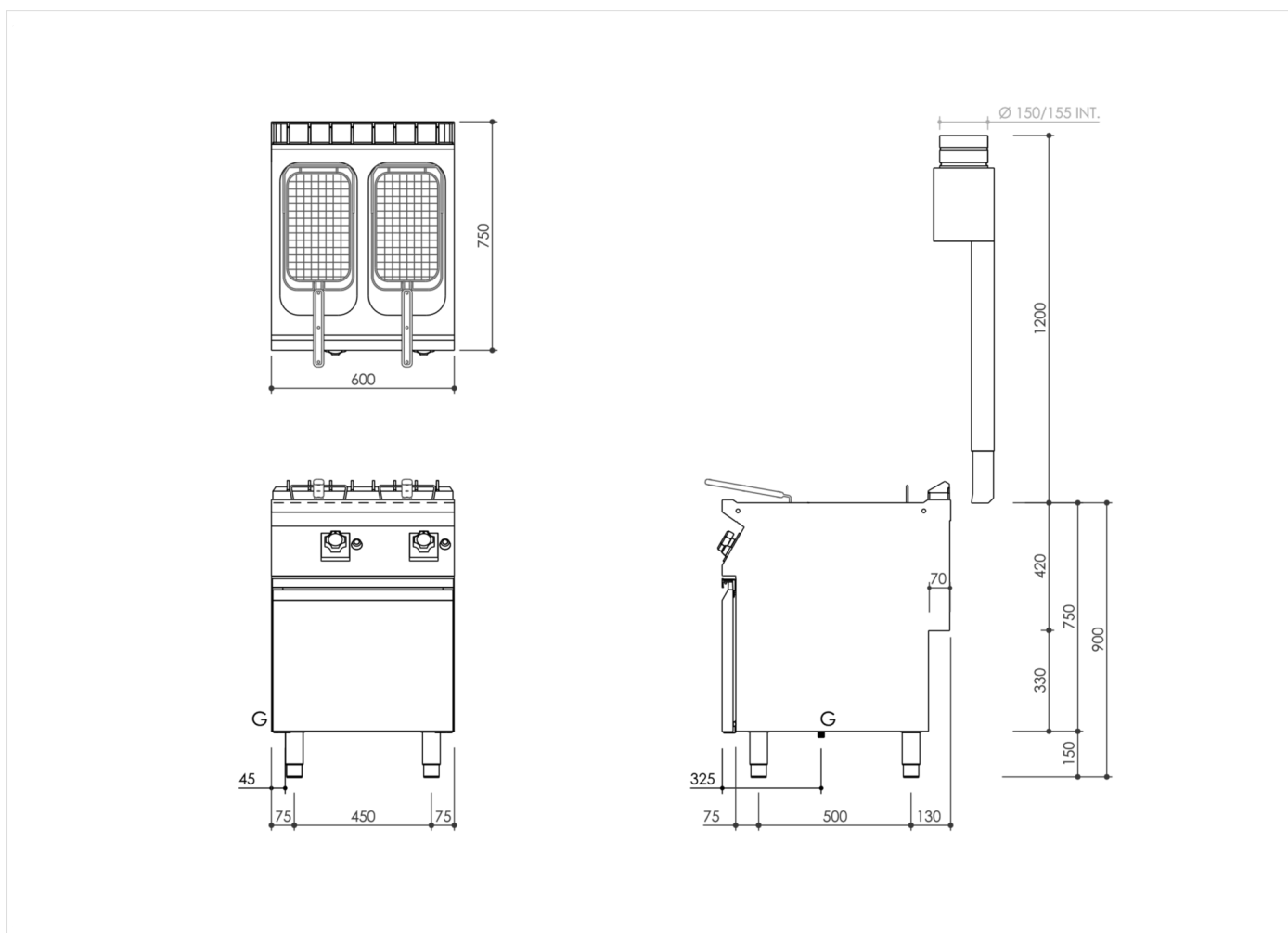
Twin pan gas fryer 10+10 litres



RANGE	CODE	MODEL	FUNCTION
MI - 70	MAMCOOOO570	FR76GIOA	Fryers

ITEM

Twin pan gas fryer 10+10 litres



INSTALLATION SPECIFICATIONS

(G) Gas Inlet: $\text{Ø}1/2''$

