

RANGE	CODE	MODEL	FUNCTION
MI - 70	MAMCOOOO6IO	FR74EIOKA	Fryers

ITEM

Single pan electric fryer 10 litres with electronic controls on stand with door



RANGE	CODE	MODEL	FUNCTION
MI - 70	MAMCO0000610	FR74EIOKA	Fryers

ITEM

Single pan electric fryer 10 litres with electronic controls on stand with door



TECHNICAL SPECIFICATIONS

WIDTH (mm):	400		
DEPTH (mm):	750		
HEIGHT (mm):	900		
WEIGHT (Kg):	42		
VOLUME (m ³):	0.2		
EL. POWER (kW):	9		
VOLTAGE:	VAC400 3N		
COOKING ZONES N°:	1		
COOKING ZONE DETAILS:	1x 9 kW		
TANK N°:	1	CAPACITY (L):	1x 10
IP GRADE:	IPX5		
TEMP. RANGE (°C):	90-185		

DESCRIPTION

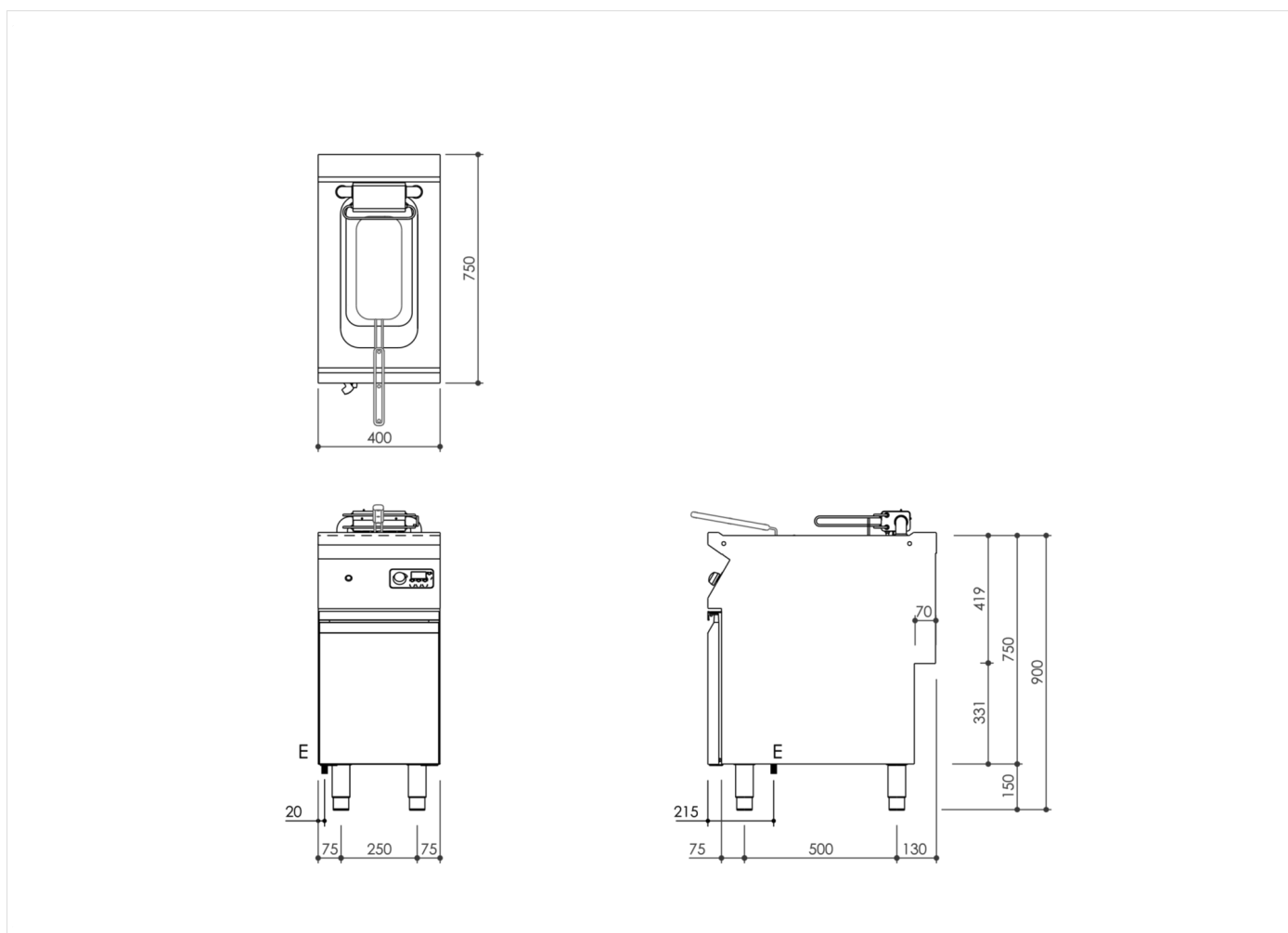
Freestanding electric fryer top on cabinet base, with electronic temperature control, in AISI 304 stainless steel. 20/10 pressed steel top with anti-spill front edge, designed for flush alignment with hermetic seal supplied. Tank capacity 10 litres. Tanks with wide front expansion zone for oil and foam and extended cold zone for collection of food particles. Heating by means of an armoured immersion-type heating element in AISI 304 stainless steel. The element can be rotated by over 90° to facilitate tank cleaning. Tank oil temperature adjustable from 100 to 185 °C. 3 digit display, Melting cycle. Heat control thermostat with shape designed to prevent water infiltration, with integral indicator lights for instant recognition of appliance operation. Fryer equipped with manual reset safety thermostat that trips in overtemperature conditions. Removable filter, basket, lid and pipe for supplied drain tap. IPX5 water-resistant rating. Appliance equipped with stainless steel adjustable feet.



RANGE	CODE	MODEL	FUNCTION
MI - 70	MAMCOOOO6IO	FR74EIOKA	Fryers

ITEM

Single pan electric fryer 10 litres with electronic controls on stand with door



INSTALLATION SPECIFICATIONS

(E) Electrical Connection: VAC400 3N 50 / 60 Hz

