

RANGE	CODE	MODEL	FUNCTION
MI - 70	MAMCOOOO670	FR76EIOA	Fryers

ITEM

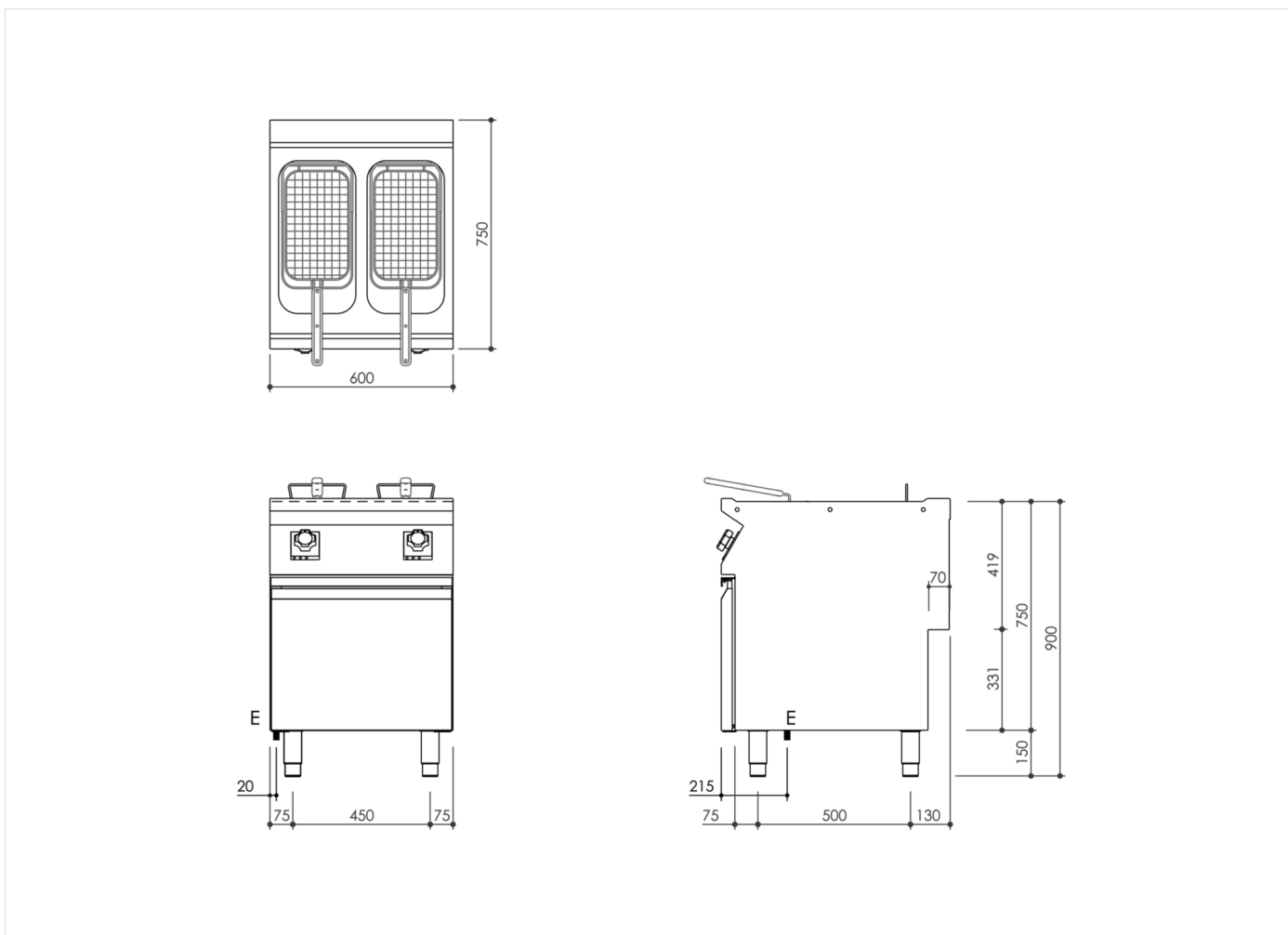
Twin pan electric fryer 10+10 litres on stand with door



RANGE	CODE	MODEL	FUNCTION
MI - 70	MAMCOOOO670	FR76EIOA	Fryers

ITEM

Twin pan elecric fryer 10+10 litres on stand with door



INSTALLATION SPECIFICATIONS

(E) Electrical Connection: VAC400 3N 50 / 60 Hz

