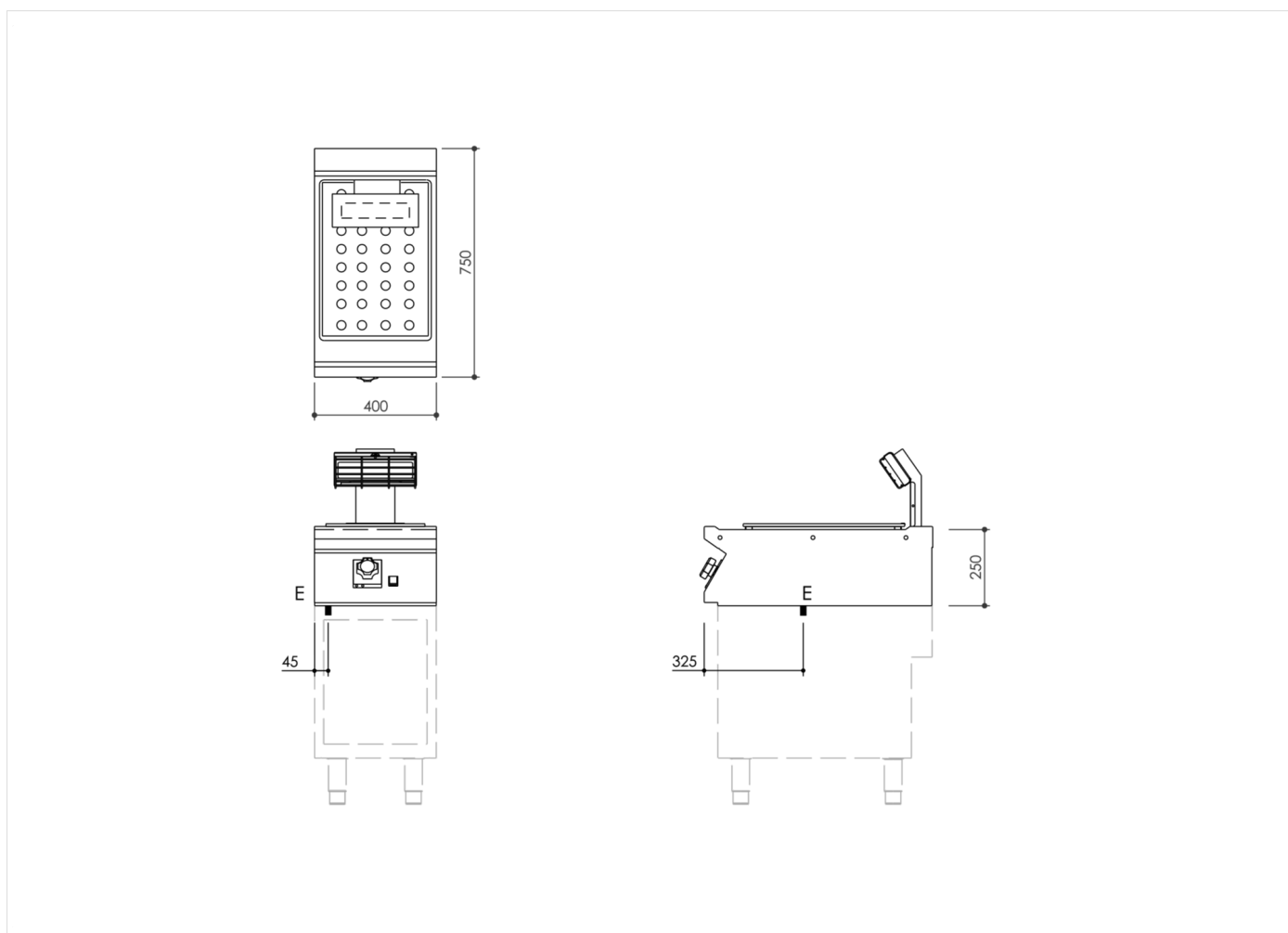


RANGE	CODE	MODEL	FUNCTION
MI - 70	MAMCO000700	SP74ET	Chips scuttle

ITEM

Electric chip scuttle top



INSTALLATION SPECIFICATIONS

(E) Electrical Connection: **VAC230-I 50/60Hz**

