

RANGE	CODE	MODEL	FUNCTION
MI - 70	MAMCOOO2380	BA74ET	Bain-Marie

ITEM

Electric bain maire top I x GN I/I



TECHNICAL SPECIFICATIONS

WIDTH (mm):	400		
DEPTH (mm):	750		
HEIGHT (mm):	250		
WEIGHT (Kg):	25		
VOLUME (m ³):	0.2		
EL. POWER (kW):	1.8		
VOLTAGE:	VAC230-1		
COOKING ZONES N°:	1		
COOKING ZONE DETAILS:	1x 1,8 kW		
TANK DIM. (mm):	350x515x170(h) mm		
TANK N°:	1	CAPACITY (L):	9
		CONTAINERS MAX H:	150 mm
IP GRADE:	IPX5		
TEMP. RANGE (°C):	0-90 °C		

DESCRIPTION

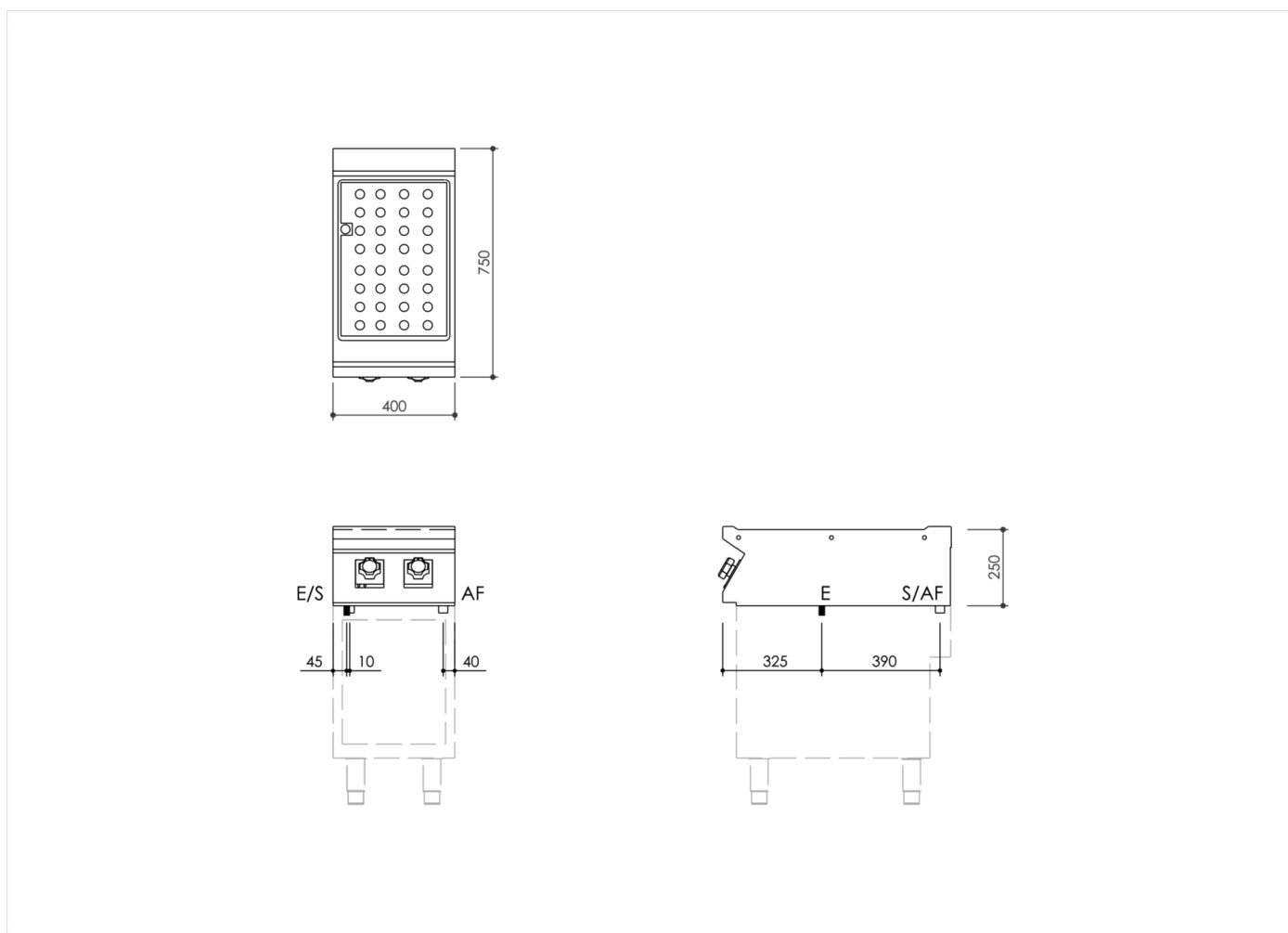
Electric bain marie top in AISI 304 stainless steel. 20/10 gauge worktop, without flue apertures, fitted for insertion of water column accessory. Tank in AISI 304 stainless steel with radiused internal corners to facilitate cleaning. Sloping tank bottom for optimum drainage of water. Size no. I x GN I/I. Designed to accommodate containers up to 150 mm deep. Armored heating elements located underneath the tank. Water temperature thermostatically controlled, with adjustment from 30°C to 90°C. Safety thermostat trips in the event of activation of heating without water in the tank, manual reset. Activation of heating signalled by an orange indicator light on the control panel. Automatic water filling. Appliance equipped with vertical overflow drain. IPX5 water-resistant rating.



RANGE	CODE	MODEL	FUNCTION
MI - 70	MAMCOOO2380	BA74ET	Bain-Marie

ITEM

Electric bain maire top I x GN I/I



INSTALLATION SPECIFICATIONS

(E) Electrical Connection:	VAC230-I 50/60Hz
(S) Output Drain:	Ø 1/2"

