

RANGE	CODE	MODEL	FUNCTION
MI - 70	MAMCOOO2880	PE76GD5	Boiling Pans

ITEM

Gas boiling pan 50 litre capacity, with direct heating system



TECHNICAL SPECIFICATIONS

WIDTH (mm):	600
DEPTH (mm):	750
HEIGHT (mm):	900
WEIGHT (Kg):	72
VOLUME (m ³):	0.6
GAS POWER (kW):	10
EL. POWER (kW):	0.1
VOLTAGE:	VAC IN 220-240
COOKING ZONES N°:	1
COOKING ZONE DETAILS:	1x 10 kW
TANK DIM. (mm):	Ø 400 mm
TANK N°:	1
CAPACITY (L):	50

DESCRIPTION

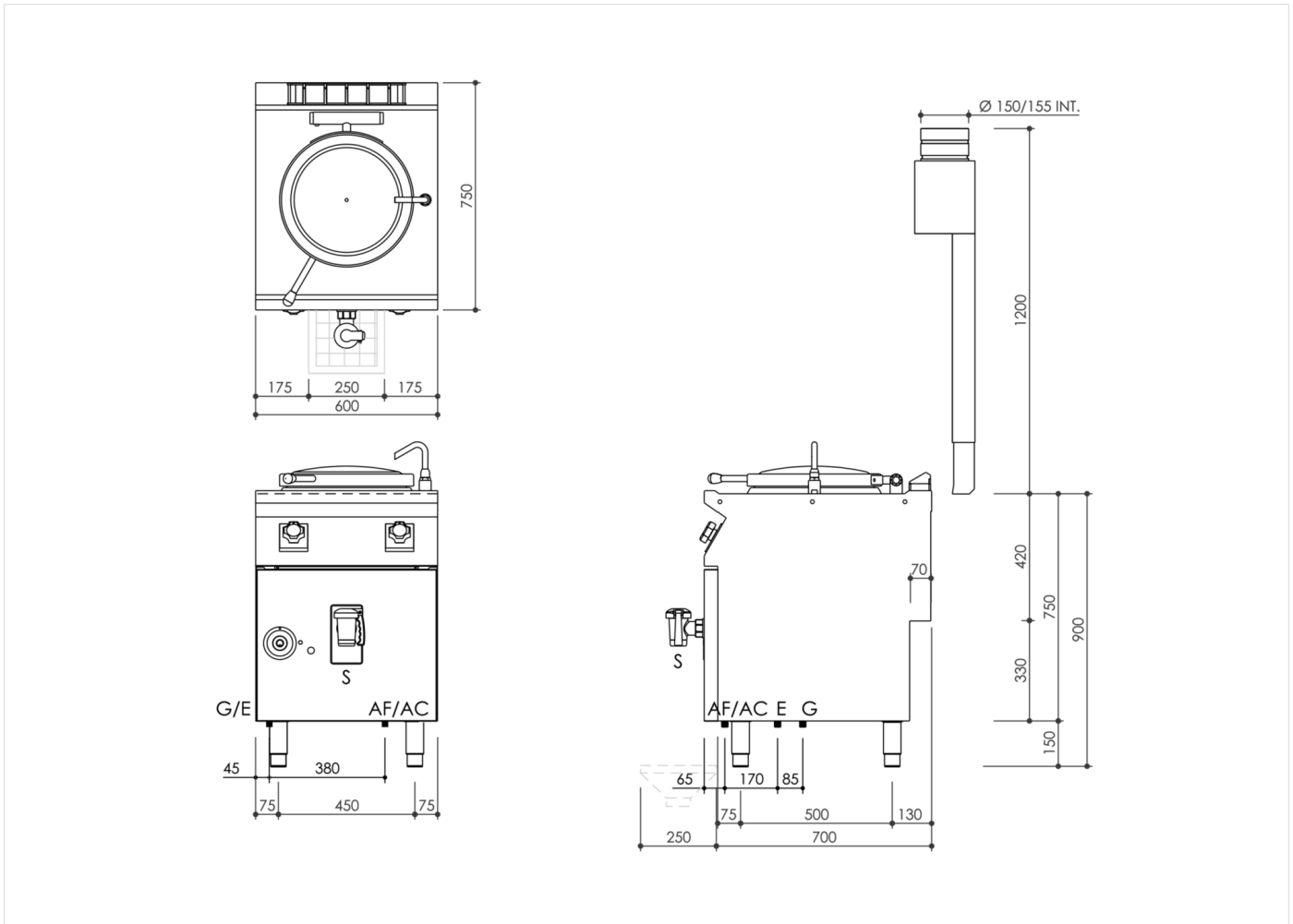
Freestanding direct heating gas boiling pan in AISI 304 stainless steel. 20/10 pressed steel top with anti-spill front edge, designed for flush alignment with hermetic seal supplied. Tank base in polished AISI 316L stainless steel, walls in AISI 304 stainless steel. Thick insulating panels for thermal insulation of tank. Tank diameter 400 mm, capacity 50 l. Water filling via solenoid valve controlled by a selector; water tap located on top 1 1/2 safety drain tap with grip in heatproof material. Counter-balanced lid with 75° opening and handle offering front and side grip. Direct heating with AISI 304 stainless steel burners positioned outside the tank. Heat control knob shaped to prevent water infiltration, equipped with integral indicator lights for instant recognition of heating and correct operation of the appliance. Temperature controlled by an energy regulator. Gas valve with pilot burner and safety thermocouple. Automatic pilot burner electric ignition. Model equipped with safety thermostat with reset button accessible to the user. Appliance equipped with stainless steel adjustable feet.



RANGE	CODE	MODEL	FUNCTION
MI - 70	MAMCOOO2880	PE76GD5	Boiling Pans

ITEM

Gas boiling pan 50 litre capacity, with direct heating system



INSTALLATION SPECIFICATIONS

(E) Electrical Connection:	VAC IN 220-240 50 Hz
(G) Gas Inlet:	Ø1/2"
(AF) Cold Water Inlet:	Ø1/2- H=100mm.

