

RANGE	CODE	MODEL	FUNCTION
MI - 70	MAMCOOO2900	PE76GI5V	Boiling Pans

ITEM

Gas boiling pan 50 litre capacity, with indirect heating system and automatic condensed steam outlet



RANGE	CODE	MODEL	FUNCTION
MI - 70	MAMCOOO2900	PE76GI5V	Boiling Pans

ITEM

**Gas boiling pan 50 litre capacity, with indirect heating system and automatic condensed steam outlet**



**TECHNICAL SPECIFICATIONS**

WIDTH (mm):	600
DEPTH (mm):	750
HEIGHT (mm):	900
WEIGHT (Kg):	83
VOLUME (m <sup>3</sup> ):	0.6
GAS POWER (kW):	10.5
EL. POWER (kW):	0.3
VOLTAGE:	VAC IN 220-240
COOKING ZONES N°:	1
COOKING ZONE DETAILS:	1x 10,5 kW
TANK DIM. (mm):	Ø 400 mm
TANK N°:	1
CAPACITY (L):	50

**DESCRIPTION**

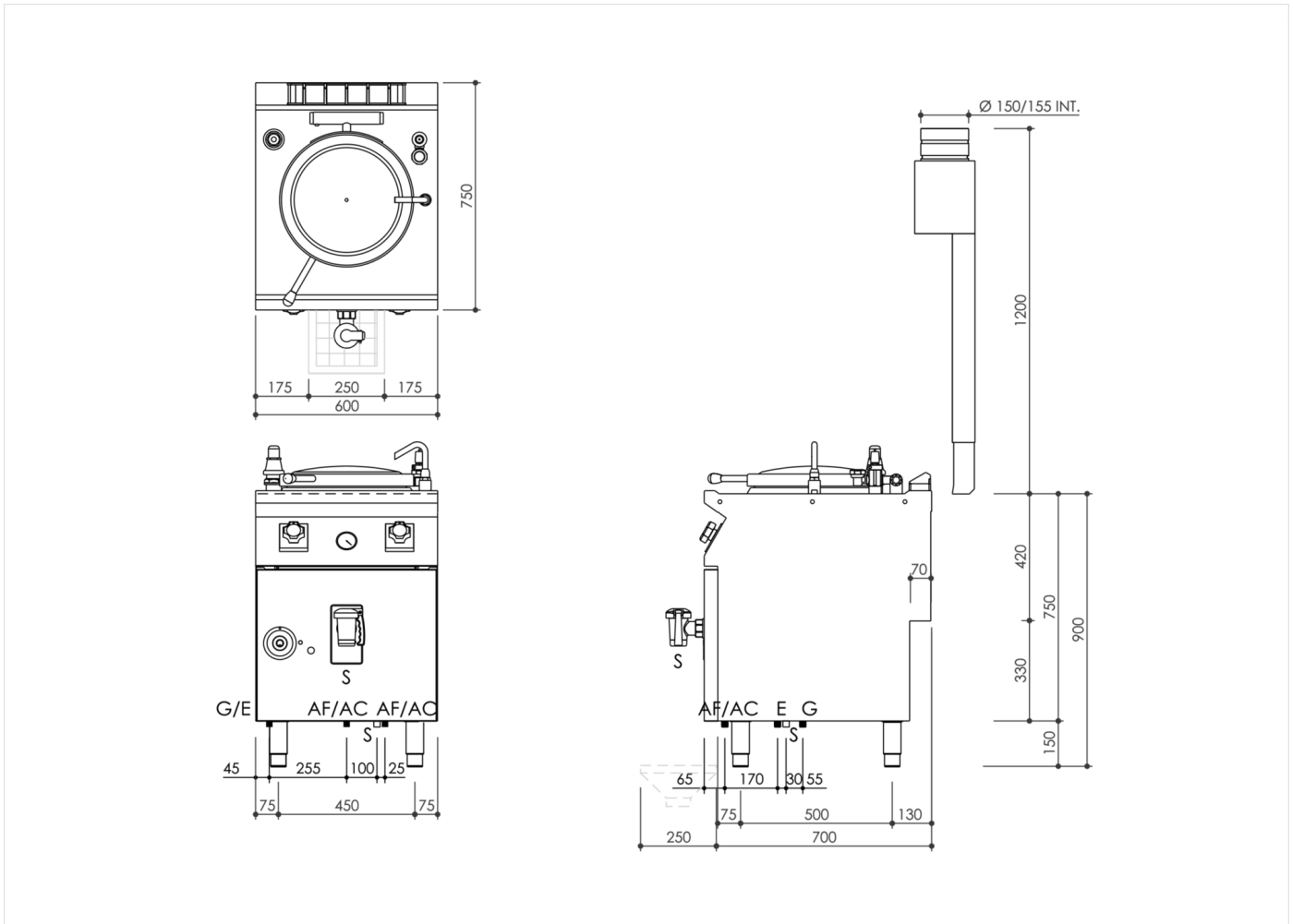
Freestanding indirect heating gas boiling pan in AISI 304 stainless steel. 20/10 pressed steel top with anti-spill front edge, designed for flush alignment with hermetic seal supplied. Tank base in polished AISI 316L stainless steel, walls in AISI 304 stainless steel. Thick insulating panels for thermal insulation of tank. Tank diameter 400 mm, capacity 50 l. Water filling via solenoid valve controlled by a selector; water tap located on top | 1/2 safety drain tap with grip in heatproof material. Counter-balanced lid with 75° opening and handle offering front and side grip. Indirect heating with low-pressure steam generated by the water in the jacket: safe and easy operation thanks to pressure gauge, safety valve and compensating valve. Innovative control system with no water warning light; heating restarts after the water level in the jacket has been restored. Indirect heating with AISI 304 stainless steel burners positioned outside the jacket. Heat control knob shaped to prevent water infiltration, equipped with integral indicator lights for instant recognition of heating and correct operation of the appliance. Temperature controlled by an energy regulator. Gas valve with pilot burner and safety thermocouple. Automatic pilot burner electric ignition. Model equipped with safety thermostat with reset button accessible to the user. Appliance equipped with stainless steel adjustable feet.



RANGE	CODE	MODEL	FUNCTION
MI - 70	MAMCOOO2900	PE76GI5V	Boiling Pans

ITEM

**Gas boiling pan 50 litre capacity, with indirect heating system and automatic condensed steam outlet**



**INSTALLATION SPECIFICATIONS**

(E) Electrical Connection:	VAC IN 220-240 50 Hz
(G) Gas Inlet:	Ø1/2"
(AF) Cold Water Inlet:	Ø1/2- H=100mm.

