

RANGE	CODE	MODEL	FUNCTION
MO - 70	CRI307200	NET78GVG	Solid Top

ITEM

Gas cast iron solid top plate with removable bullseye on open stand

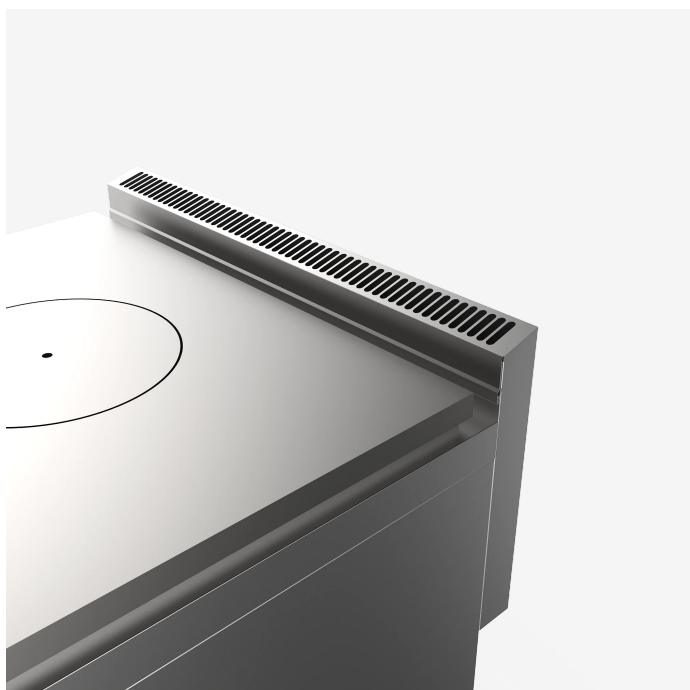
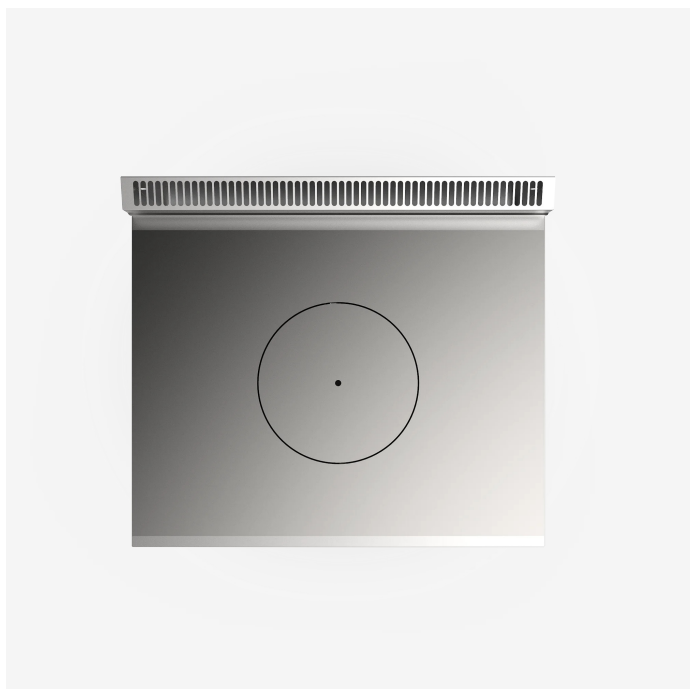


RANGE	CODE	MODEL	FUNCTION
MO - 70	CRI307200	NET78GVG	Solid Top

ITEM

Gas cast iron solid top plate with removable bullseye on open stand

DETAILS



RANGE	CODE	MODEL	FUNCTION
MO - 70	CRI307200	NET78GVG	Solid Top

ITEM

Gas cast iron solid top plate with removable bullseye on open stand



TECHNICAL SPECIFICATIONS

WIDTH (mm):	800
DEPTH (mm):	700
HEIGHT (mm):	870
WEIGHT (Kg):	96
VOLUME (m ³):	0.8
GAS POWER (kW):	9
INTERNAL BASE UNIT DIM. (mm):	760x560x340(h)
COOKING ZONES N°:	1
COOKING ZONE DETAILS:	1x 9kW

DESCRIPTION

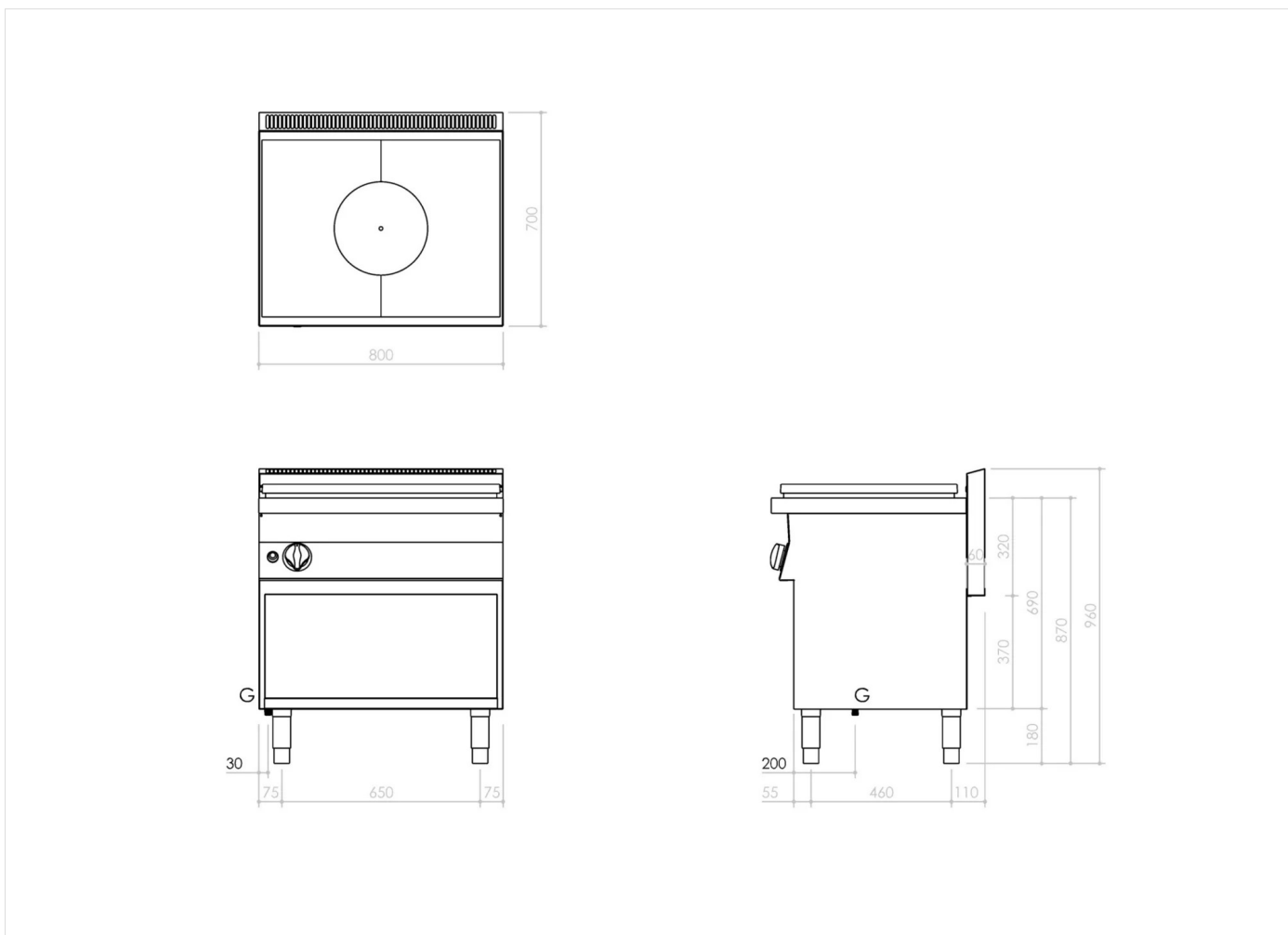
Gas solid top on an open base unit, made of stainless steel. Very thick, radiating cast iron plate, ribbed for the temperature to be distributed correctly, having also a central opening. Heating occurs by means of a double ring, stainless steel, chromed burner with high rated output for 500 °C to be reached at the centre of the plate and 200 °C near the edges, complete with a pilot burner and safety thermocouple. Gas supply controlled by a thermostatic safety valve. Automatic ignition by means of a piezoelectric device. Dimensions of the plate are 78x58 cm. Base compartment made of stainless steel. Height adjustable feet made of stainless steel.



RANGE	CODE	MODEL	FUNCTION
MO - 70	CR1307200	NET78GVG	Solid Top

ITEM

Gas cast iron solid top plate with removable bullseye on open stand



INSTALLATION SPECIFICATIONS

(G) Gas Inlet: $\text{Ø}1/2''$

