

RANGE

**Self Service Free-Flow 867**

CODE

**CRO5I5I20**

MODEL

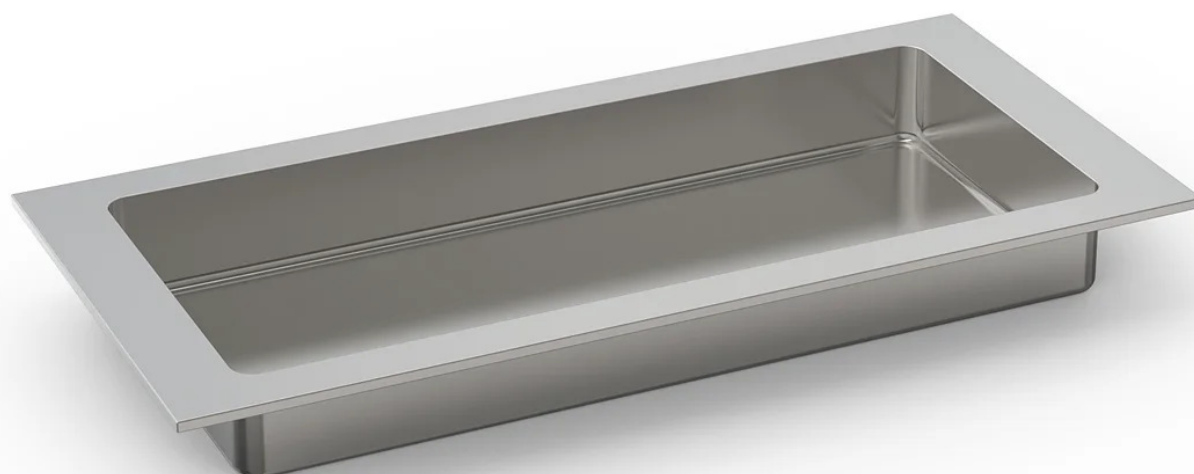
**SDVCI5**

FUNCTION

**Heated Units drop-in**

ITEM

**4 GN 1/1 container drop-in bain-marie**



RANGE

**Self Service Free-Flow 867**

CODE

**CRO5I5I20**

MODEL

**SDVCI5**

FUNCTION

**Heated Units drop-in**

ITEM

**4 GN I/I container drop-in bain-marie**



**TECHNICAL SPECIFICATIONS**

WIDTH (mm):	<b>1400</b>
DEPTH (mm):	<b>650</b>
HEIGHT (mm):	<b>261</b>
WEIGHT (Kg):	<b>84</b>
VOLUME (m <sup>3</sup> ):	<b>0.33</b>
EL. POWER (kW):	<b>2.8</b>
VOLTAGE:	<b>VAC230</b>

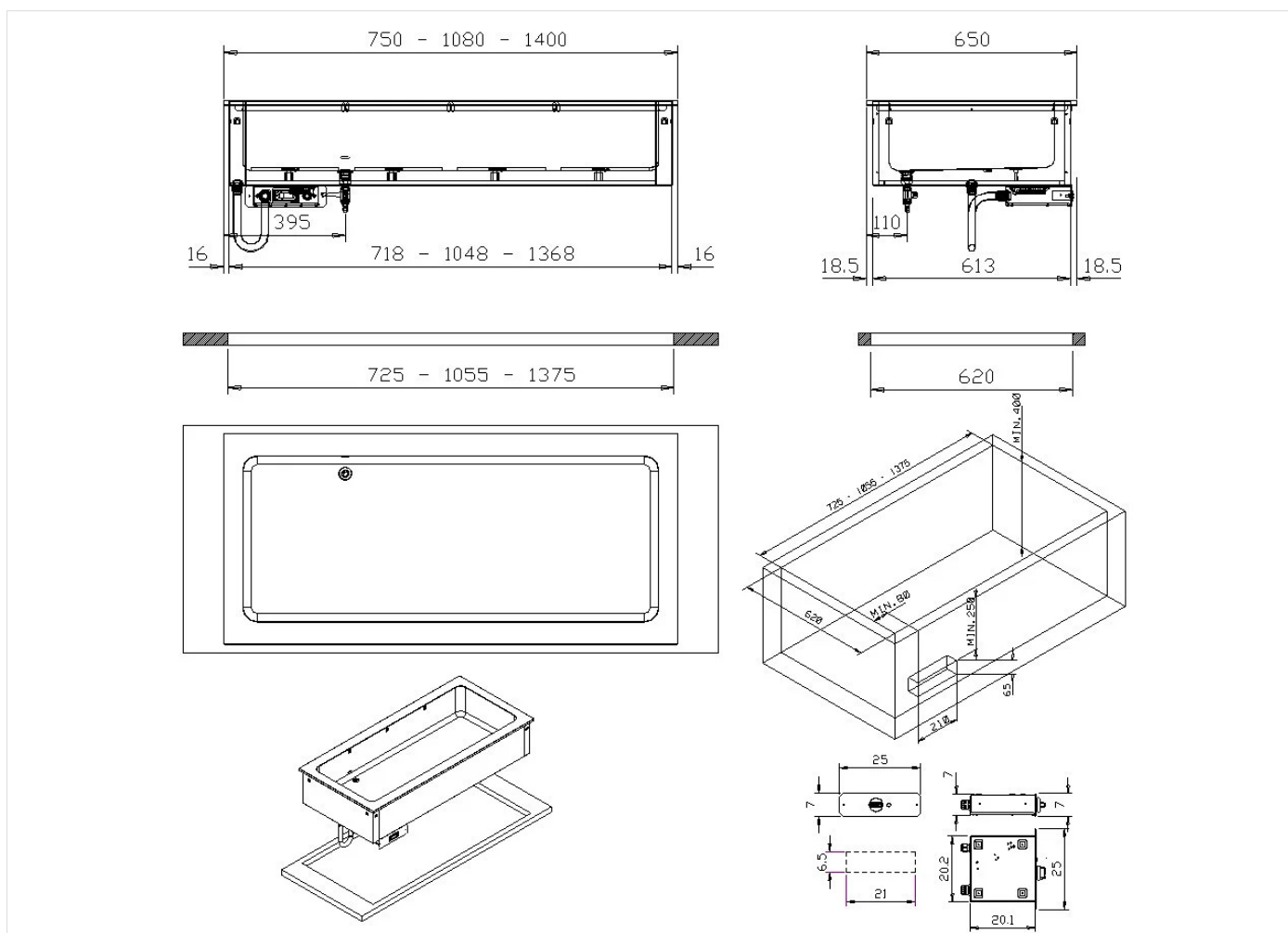
**DESCRIPTION**

Electrical bain marie unit, tank capacity 4 drop-in GN I/I containers H=200 mm. Electromechanical thermostat adjusted from 30° to 90°C, main switch, warning light, safety thermostat, digital thermometer, tank temperature display. Worktop with square edges H=15 mm. 12/10 thick. Supplied with control panel.



RANGE	CODE	MODEL	FUNCTION
Self Service Free-Flow 867	CRO5I5I20	SDVCI5	Heated Units drop-in

ITEM  
4 GN I/I container drop-in bain-marie



## INSTALLATION SPECIFICATIONS

(E) Electrical Connection:	VAC230 50/60Hz
(AF) Cold Water Inlet:	Ø3/4

