

RANGE

Self Service Free-Flow 867

CODE

CRO5I5I3O

MODEL

SDPCO8

FUNCTION

Heated Units drop-in

ITEM

2 GN I/I zone heated drop-in glass top



RANGE	CODE	MODEL	FUNCTION
Self Service Free-Flow 867	CRO5I5I3O	SDPCO8	Heated Units drop-in

ITEM
2 GN I/I zone heated drop-in glass top



TECHNICAL SPECIFICATIONS

WIDTH (mm):	750
DEPTH (mm):	650
HEIGHT (mm):	96
WEIGHT (Kg):	44
VOLUME (m ³):	0.07
EL. POWER (kW):	0.5
VOLTAGE:	VAC230

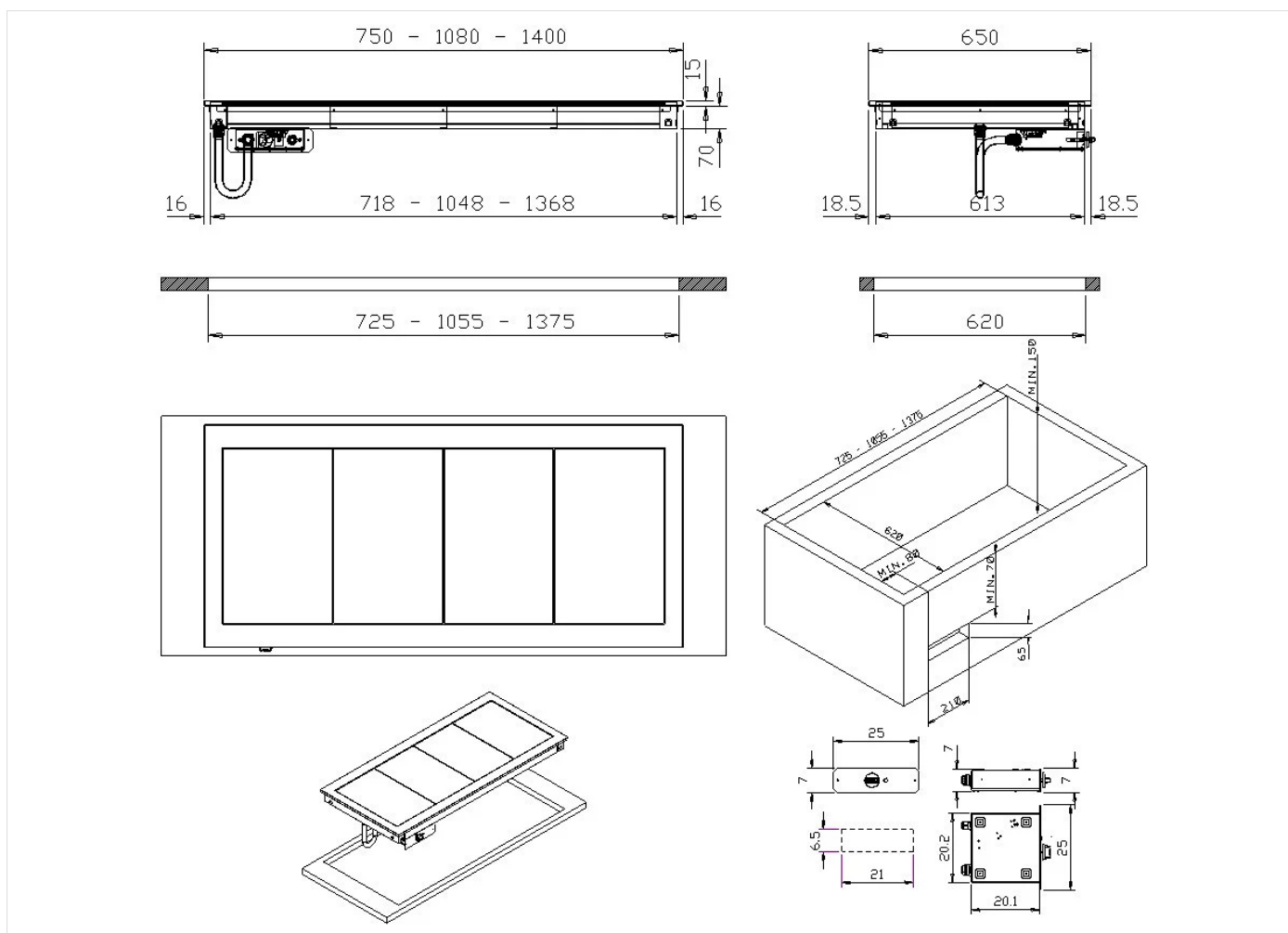
DESCRIPTION

Drop-in electric unit with heated glass top 0.5 kW tempered glass hotplate with 2 zones GN I/I, top size 640x510 mm. Six-temperature level energy adjuster +40+100°C. Warning light. Worktop with square edges H=15 mm. I2/I0 thick. Supplied with control panel.



RANGE	CODE	MODEL	FUNCTION
Self Service Free-Flow 867	CRO5I5I3O	SDPCO8	Heated Units drop-in

ITEM
2 GN I/I zone heated drop-in glass top



INSTALLATION SPECIFICATIONS

(E) Electrical Connection: **VAC230 50/60Hz**

