

RANGE

**Self Service Free-Flow 867**

CODE

**CRO515209**

MODEL

**SDPC12S**

FUNCTION

**Heated Units drop-in**

ITEM

**3 GN I/I zone heated drop-in glass top, prepared for upper shelf installation**



RANGE

**Self Service Free-Flow 867**

CODE

**CRO515209**

MODEL

**SDPC12S**

FUNCTION

**Heated Units drop-in**

ITEM

**3 GN I/I zone heated drop-in glass top, prepared for upper shelf installation**



#### TECHNICAL SPECIFICATIONS

WIDTH (mm):	<b>1220</b>
DEPTH (mm):	<b>650</b>
HEIGHT (mm):	<b>90</b>
WEIGHT (Kg):	<b>60</b>
VOLUME (m <sup>3</sup> ):	<b>0.1</b>
EL. POWER (kW):	<b>0.75</b>
VOLTAGE:	<b>VAC230</b>

#### DESCRIPTION

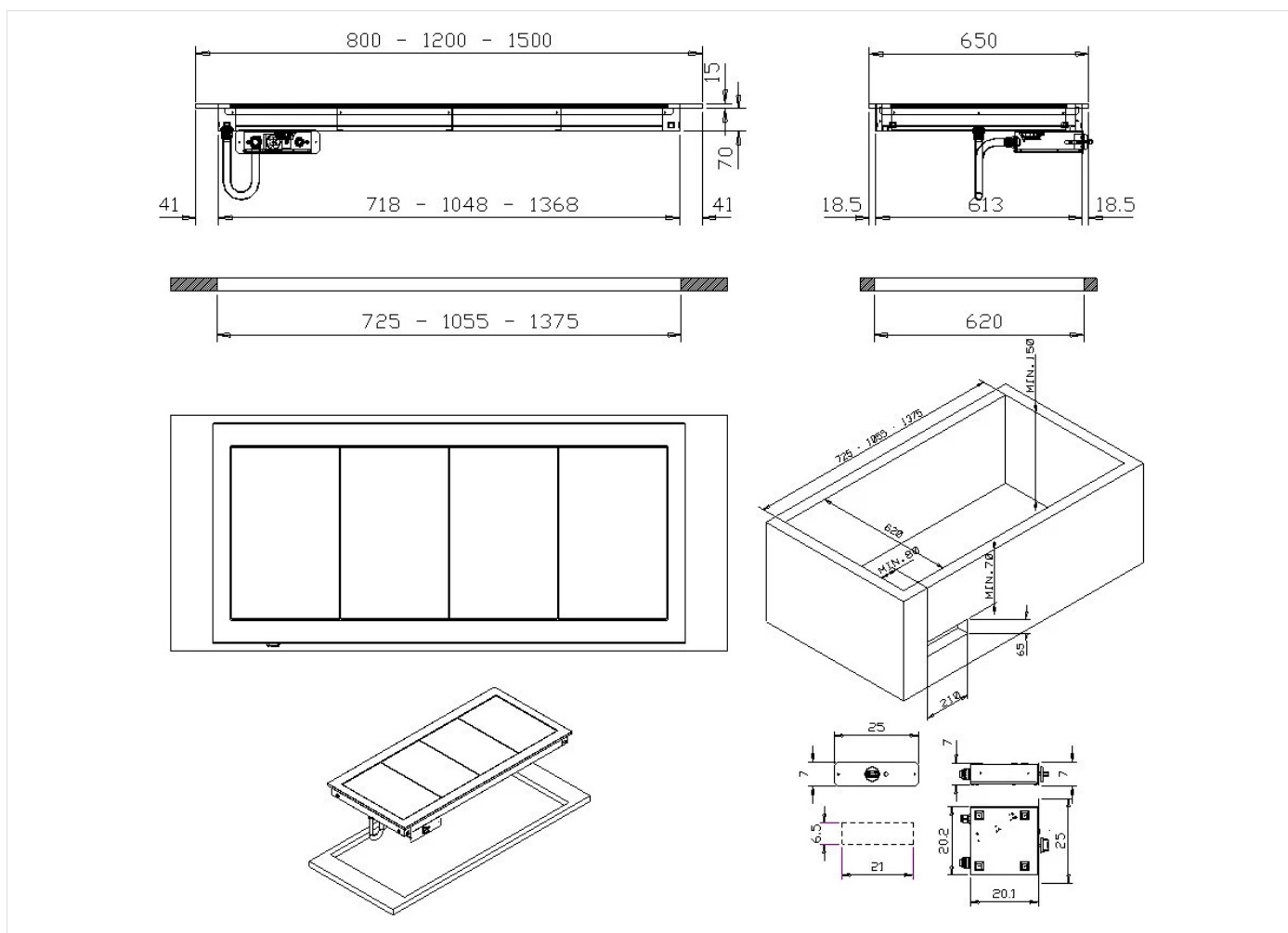
Drop-in electric unit with heated glass top 0.75 kW tempered glass hotplate with 3 zones GN I/I, top size 960x510 mm. Six-temperature level energy adjuster +40+100°C. Warning light. Worktop with square edges H=15 mm. 12/10 thick. Designed to accommodate glass countertop structure. Supplied with control panel.



RANGE	CODE	MODEL	FUNCTION
Self Service Free-Flow 867	CRO515209	SDPC12S	Heated Units drop-in

ITEM

**3 GN I/I zone heated drop-in glass top, prepared for upper shelf installation**



**INSTALLATION SPECIFICATIONS**

(E) Electrical Connection: **VAC230 50/60Hz**

