

RANGE

Self Service Free-Flow 867

CODE

CRO515219

MODEL

SDPCI5S

FUNCTION

Heated Units drop-in

ITEM

4 GN 1/1 zone heated drop-in glass top, prepared for upper shelf installation



RANGE	CODE	MODEL	FUNCTION
Self Service Free-Flow 867	CRO515219	SDPC15S	Heated Units drop-in

ITEM

4 GN I/I zone heated drop-in glass top, prepared for upper shelf installation



TECHNICAL SPECIFICATIONS

WIDTH (mm):	1500
DEPTH (mm):	650
HEIGHT (mm):	90
WEIGHT (Kg):	79
VOLUME (m ³):	0.12
EL. POWER (kW):	1
VOLTAGE:	VAC230

DESCRIPTION

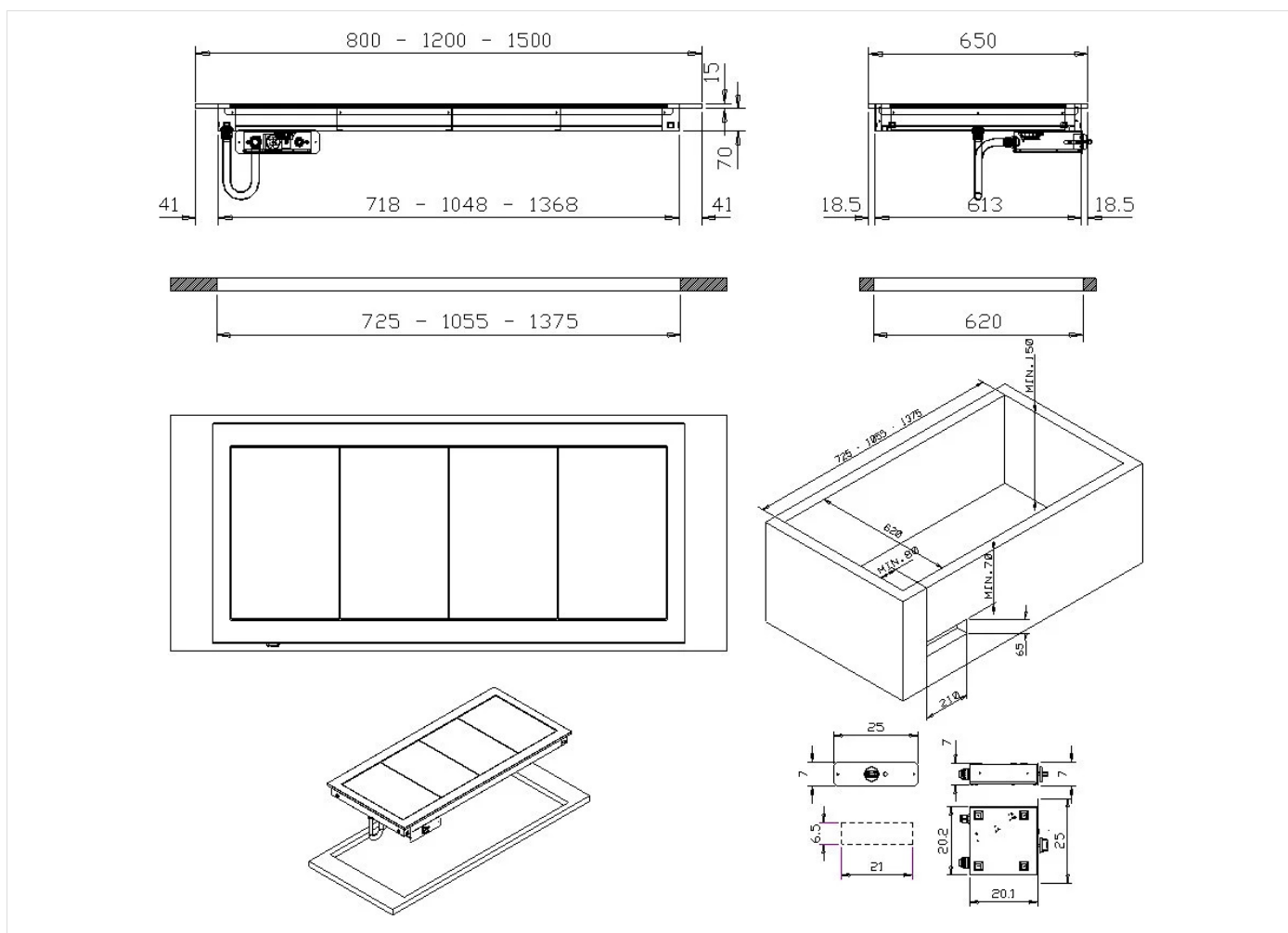
Drop-in electric unit with heated glass top 1 kW tempered glass hotplate with 4 zones GN I/I, top size 1280x510 mm. Six-temperature level energy adjuster +40+100°C. Warning light. Worktop with square edges H=15 mm. 12/10 thick. Designed to accommodate glass countertop structure. Supplied with control panel.



RANGE	CODE	MODEL	FUNCTION
Self Service Free-Flow 867	CRO515219	SDPCI55	Heated Units drop-in

ITEM

4 GN I/I zone heated drop-in glass top, prepared for upper shelf installation



INSTALLATION SPECIFICATIONS

(E) Electrical Connection: VAC230 50/60Hz

