

RANGE	CODE	MODEL	FUNCTION
Self Service Free-Flow 867	CRO955I70	SDVVC08S	Heated Units drop-in

ITEM

2 GNI/I container fan assisted heated drop-in tank, prepared for upper shelf installation



RANGE	CODE	MODEL	FUNCTION
Self Service Free-Flow 867	CRO955170	SDVVC08S	Heated Units drop-in

ITEM

2 GNI/I container fan assisted heated drop-in tank, prepared for upper shelf installation



TECHNICAL SPECIFICATIONS

WIDTH (mm):	820
DEPTH (mm):	650
HEIGHT (mm):	316
WEIGHT (Kg):	49
VOLUME (m ³):	0.24
EL. POWER (kW):	1
VOLTAGE:	VAC230

DESCRIPTION

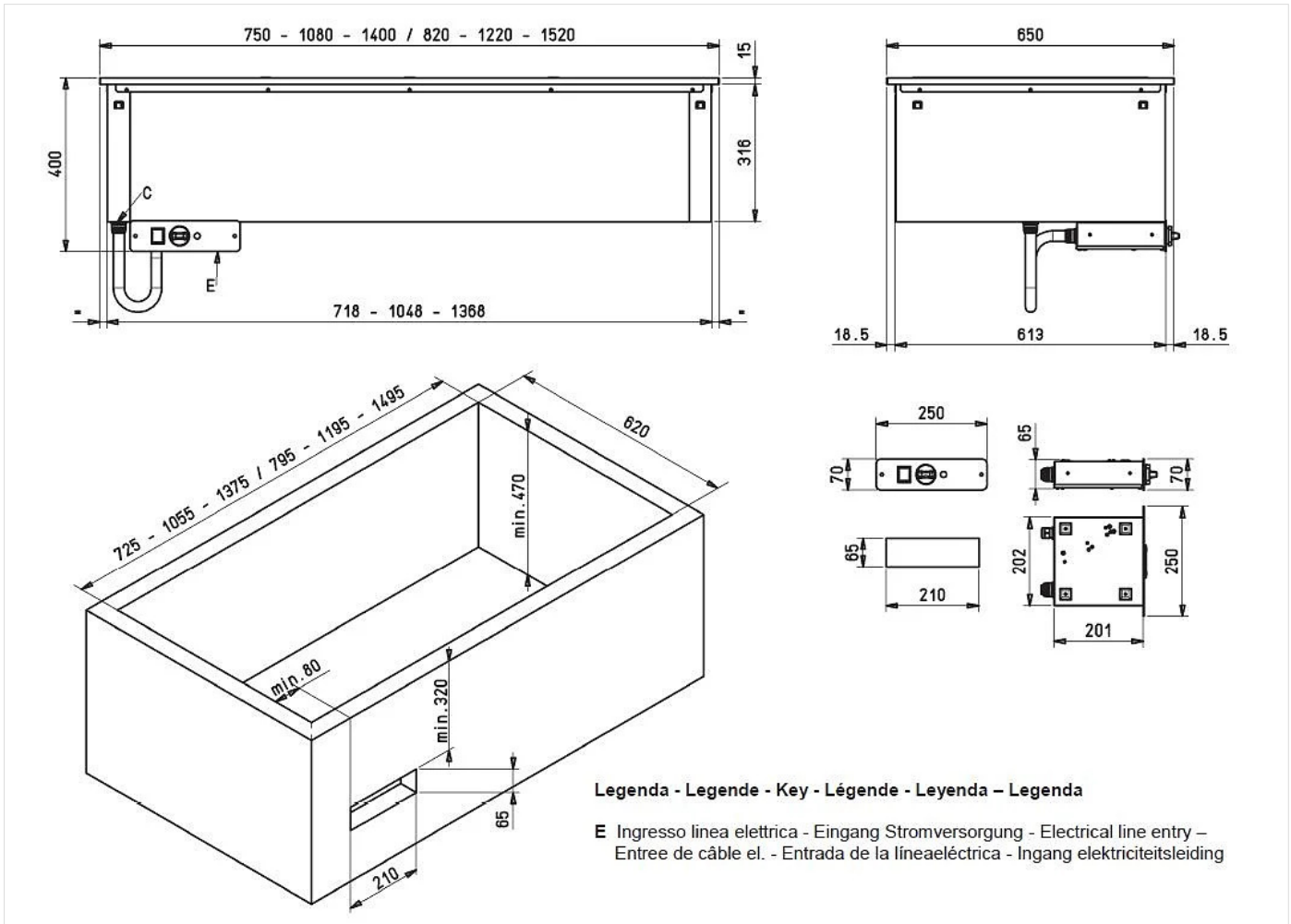
Electrical, ventilated hot element, tank capacity 2 drop-in GN I/I containers H=200 mm. Top heated by filament coil combined with cross-flow fans located under the well. Electromechanical thermostatic control adjustable from 30° to 90°C, main switch, warning light and safety thermostat. Worktop with square edges H=15 mm. 12/10 thick. Designed to accommodate glass countertop structure. Supplied with control panel.



RANGE	CODE	MODEL	FUNCTION
Self Service Free-Flow 867	CRO955170	SDVVC08S	Heated Units drop-in

ITEM

2 GNI/I container fan assisted heated drop-in tank, prepared for upper shelf installation



INSTALLATION SPECIFICATIONS

(E) Electrical Connection: VAC230 50/60Hz