

RANGE	CODE	MODEL	FUNCTION
Self-Service 700	CRO5I526O	SDPRI2	Refrigerated units drop-in

ITEM  
**3 GNI/I container refrigerated drop-in top**



RANGE	CODE	MODEL	FUNCTION
Self-Service 700	CRO5I5260	SDPRI2	Refrigerated units drop-in

ITEM  
**3 GNI/l container refrigerated drop-in top**



#### TECHNICAL SPECIFICATIONS

WIDTH (mm):	1080
DEPTH (mm):	650
HEIGHT (mm):	550
WEIGHT (Kg):	83
VOLUME (m <sup>3</sup> ):	0.51
EL. POWER (kW):	0.23
VOLTAGE:	VAC230
GAS TYPE:	R455a

#### DESCRIPTION

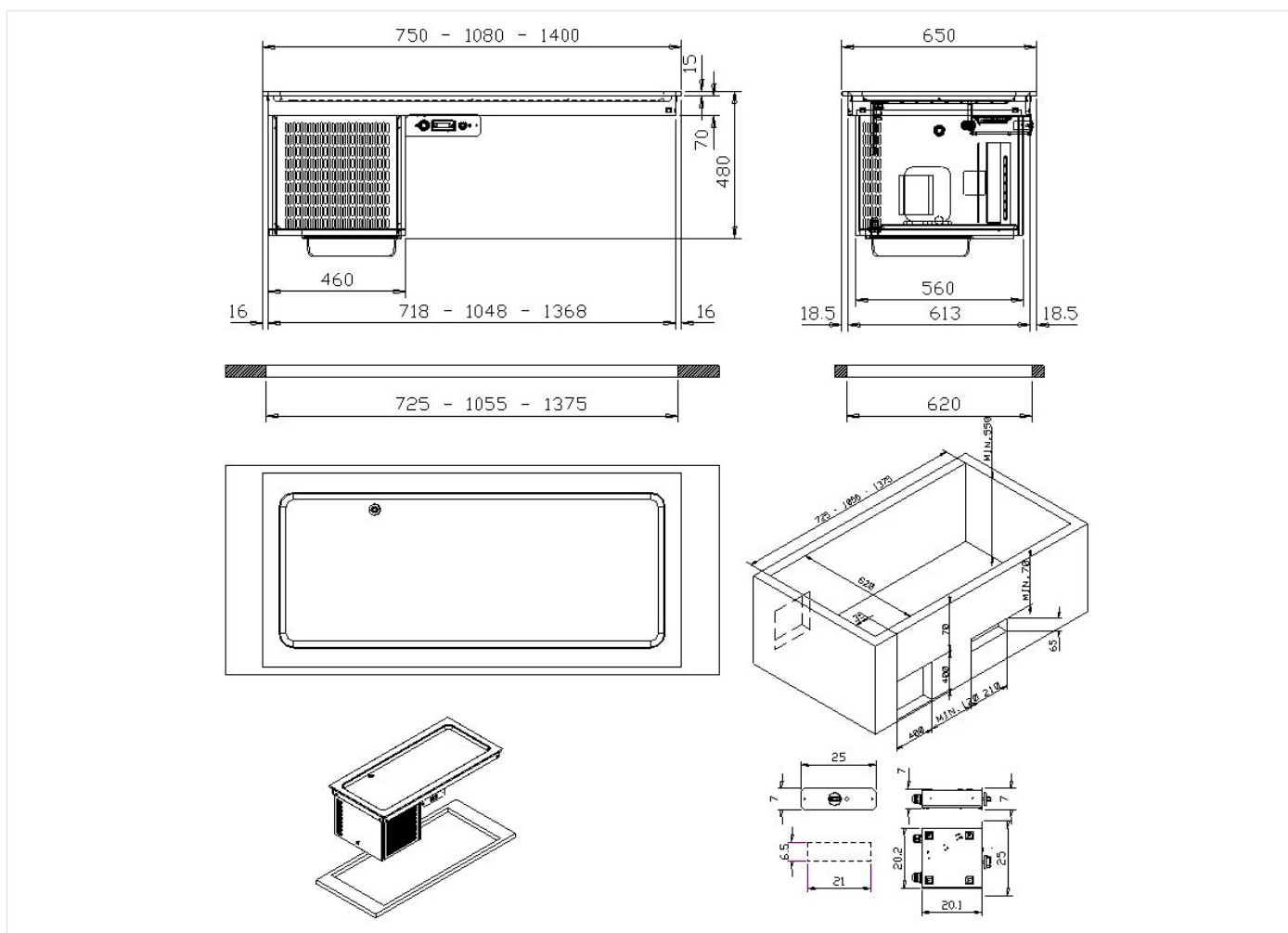
Drop-in unit with refrigerated top, depth 30 mm. capacity 3 GN I/l containers H=25 mm. Refrigerating unit with air condensation. Digital electronic thermostatic control, adjustable to 0 a +8°C, backlit main switch. Refrigerant gas R455a. Polyurethane foam insulation, density 50 kg/m<sup>3</sup> contained in a 40 mm thick countertank. AISI 304 stainless steel structure. Top with square edges, 12/10 thick, height 15 mm. Supplied with control panel.



RANGE	CODE	MODEL	FUNCTION
Self-Service 700	CRO5I526O	SDPRI2	Refrigerated units drop-in

ITEM

3 GNI/I container refrigerated drop-in top



INSTALLATION SPECIFICATIONS

(E) Electrical Connection: VAC230 50Hz

